

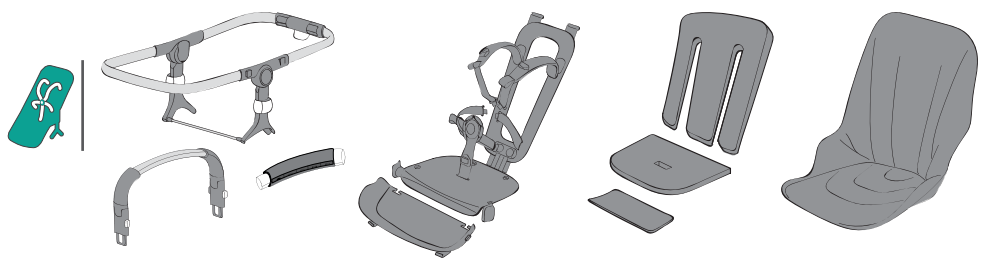
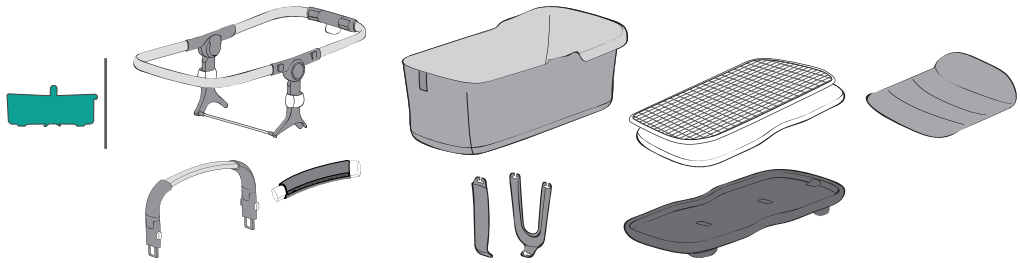
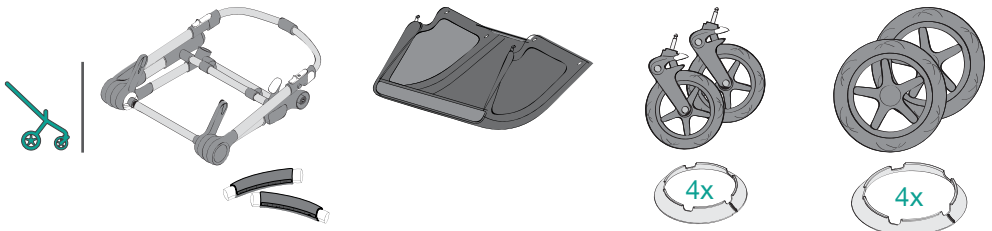
meet your bugaboo fox

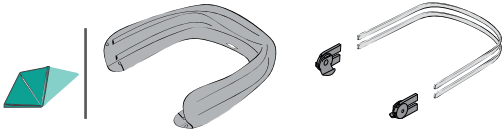
conoce tu bugaboo fox

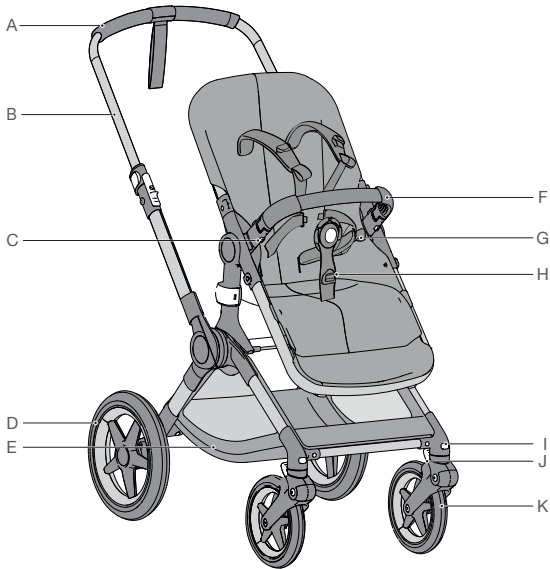
fox

bugaboo®

parts for set-up







* product depicted may not be exactly the same in all regions

en	A. handlebar	K. swivel wheel	U. large wheel release button
	B. chassis	L. integrated attachment point 1	V. sun canopy
	C. carry handle release button	M. wrist strap	W. square white knob
	D. large wheel	N. apron	X. unfolding lock
	E. underseat bag	O. handlebar adjustment clip	Y. suspension
	F. carry handle	P. integrated attachment point 2	
	G. seat	Q. bassinet stiffener	
	H. harness	R. bassinet/carrycot/pram body	
	I. swivel wheel release button	S. brake	
	J. swivel wheel lock	T. integrated attachment point 3	

es	A. manillar	K. rueda giratoria	ruedas grandes
	B. chasis	L. punto de enganche 1	V. capota
	C. botón de apertura del asa de transporte	M. muñequera de seguridad	W. boton cuadrado blanco
	D. rueda grande	N. capazo	X. seguro de desplegado
	E. cesta de compras	O. abrazaderas del manillar extensible	Y. suspensión
	F. asa de transporte	P. punto de enganche 2	
	G. silla	Q. lengüeta del capazo	
	H. arnés	R. cubrepies	
	I. botón de desenganche de rueda giratoria	S. freno	
	J. bloqueo de ruedas giratorias	T. punto de enganche 3	
	U. botón de desenganche de las		

instructions - visual language



visual check OK
comprobación visual correcta



visual check wrong
comprobación visual incorrecta



audible click
clic sonoro



Perform action on both sides
of the product
Realiza la acción en ambos lados
del producto



video available
vídeo disponible



When you see this symbol in the instructional part of the user guide, please refer to the warnings chapter for ensuring the safe use of the Bugaboo Fox.



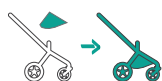




Cuando veas este símbolo en las instrucciones de la guía del usuario, consulta el capítulo de advertencias para garantizar un uso seguro del Bugaboo Fox.

white parts






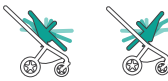


All the white parts of your Bugaboo Fox are functional. They're the parts that allow you to adapt and change your Bugaboo Fox.

Todas las piezas blancas de su Bugaboo Fox son funcionales. Son las piezas que le permiten adaptar y cambiar su Bugaboo Fox.

set-up

16	22
19	26
20	28
31		

features

34
35
36
38
40
41
43
44

features



..... 45

..... 46

..... 48

..... 49

..... 51

..... 52

..... 54

..... 55

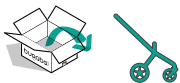
..... 56

..... 57

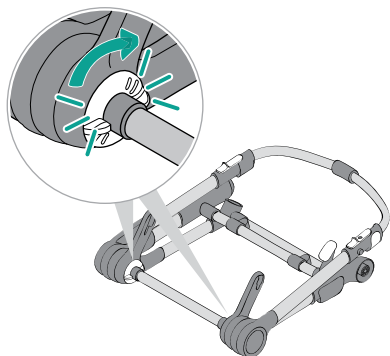
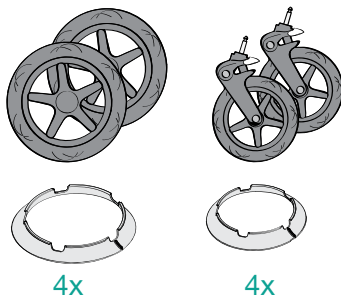
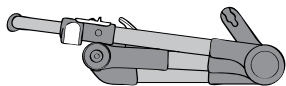
..... 58

..... 59

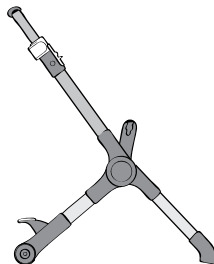
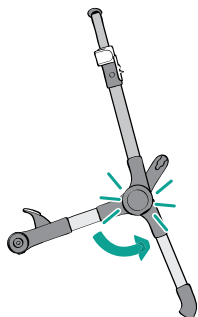
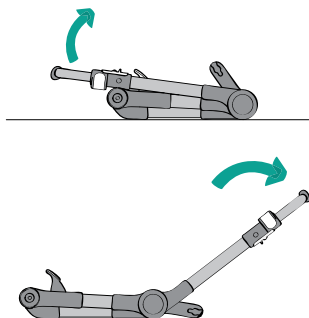
..... 61



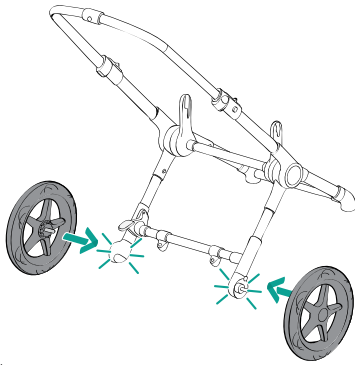
www.bugaboo.com/fox/howto



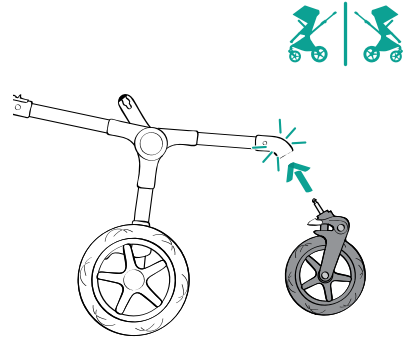
01



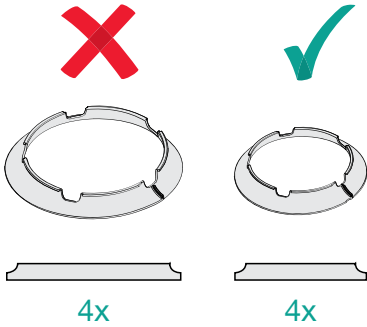
03



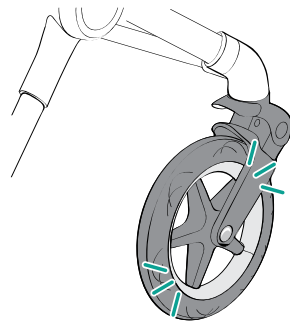
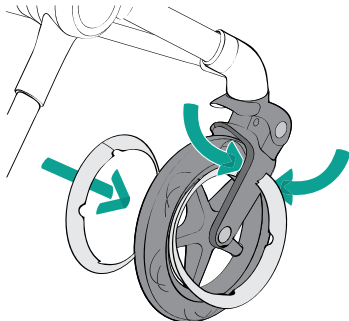
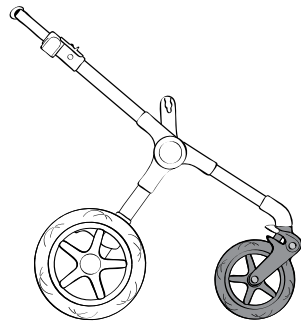
04



05

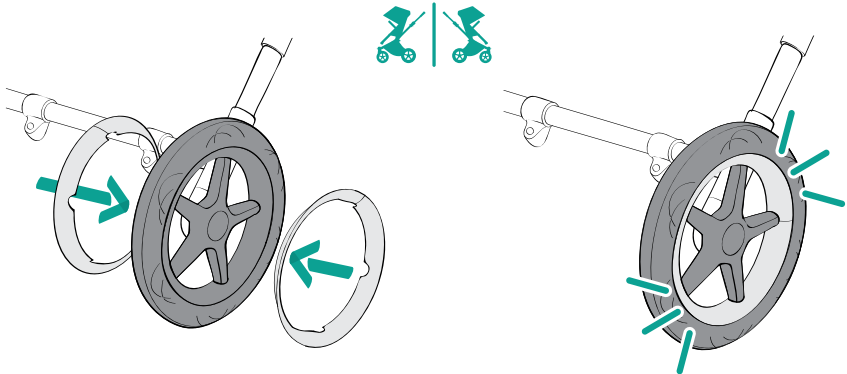
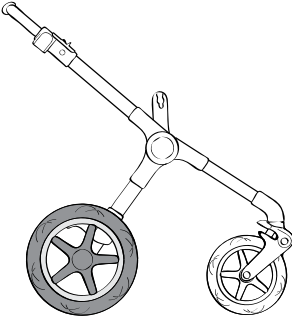
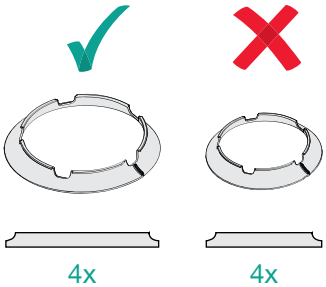


.....

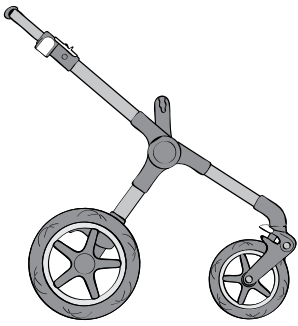


06

.....

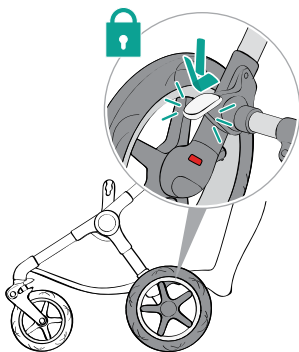
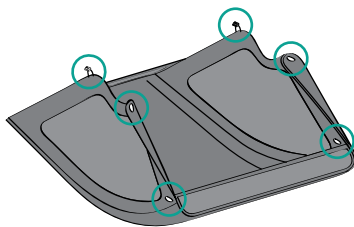
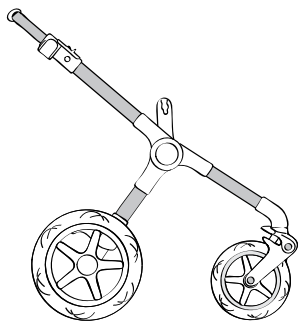


07

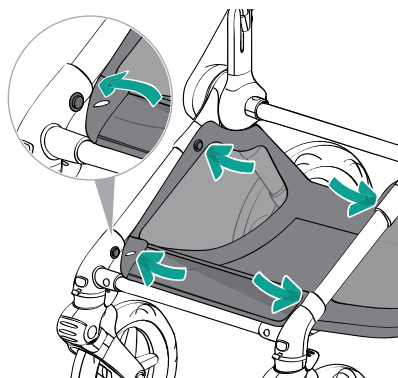




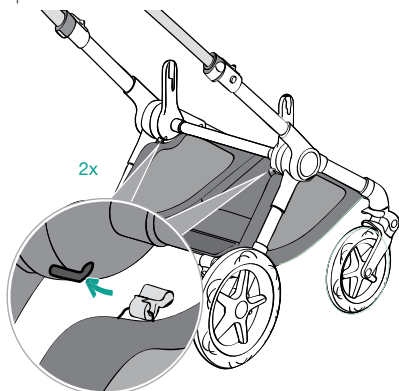
www.bugaboo.com/fox/howto



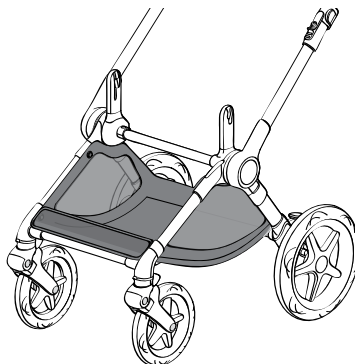
01



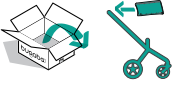
02



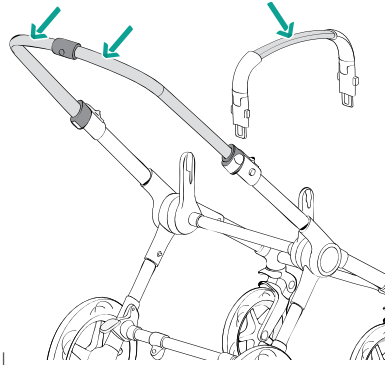
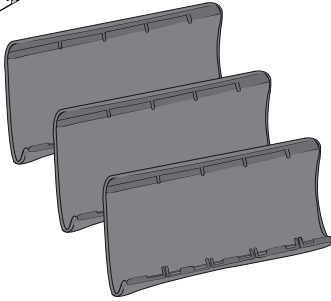
03



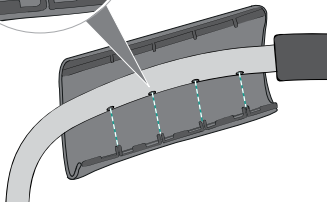
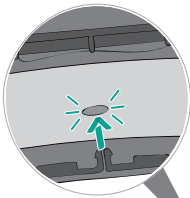
04



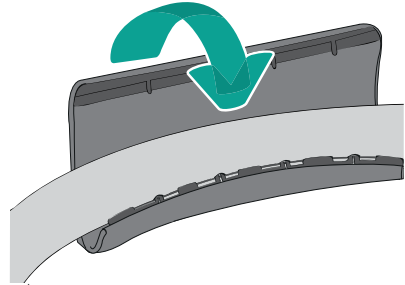
www.bugaboo.com/fox/howto



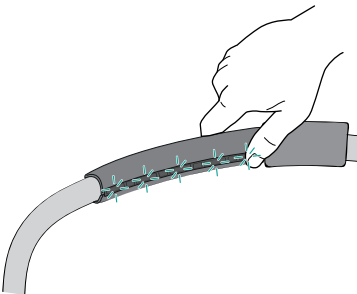
01



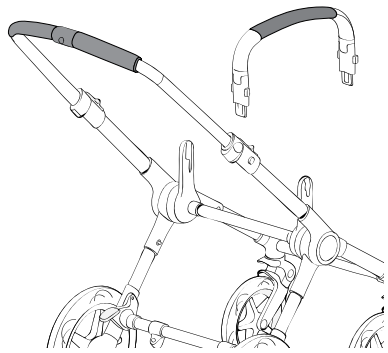
02



03

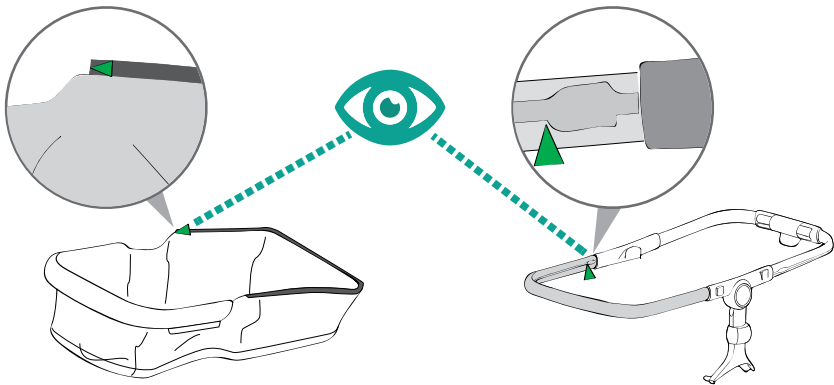
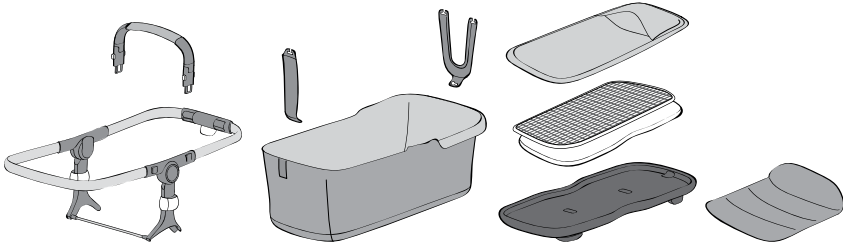


04

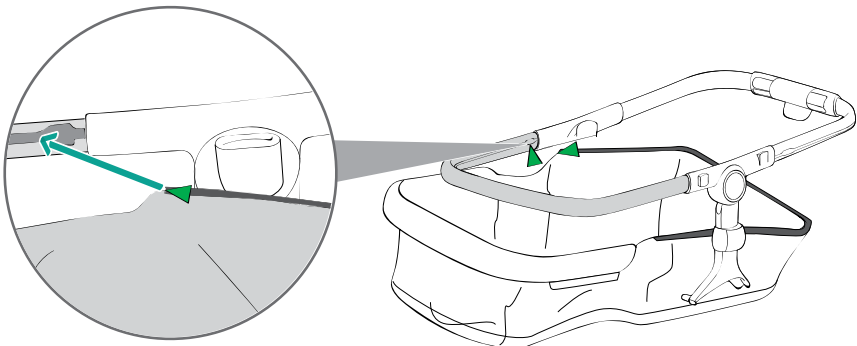




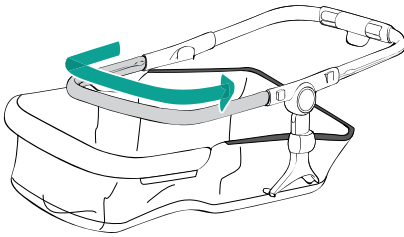
www.bugaboo.com/fox/howto



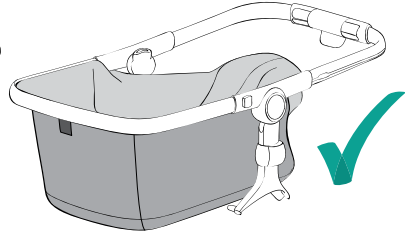
01



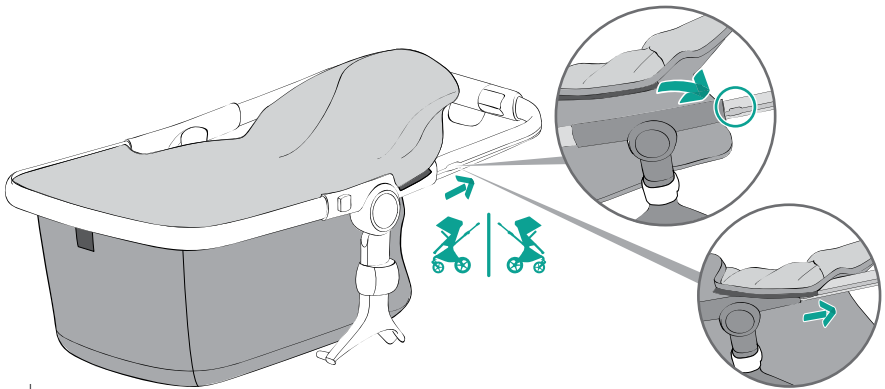
02



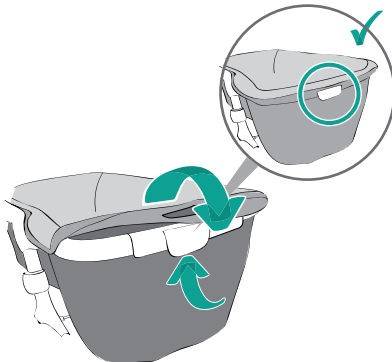
03



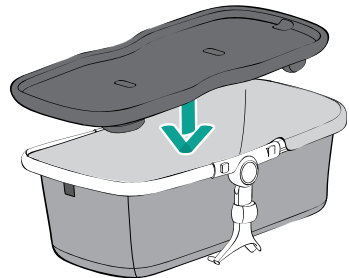
04



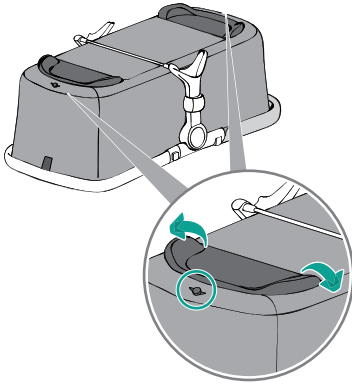
05



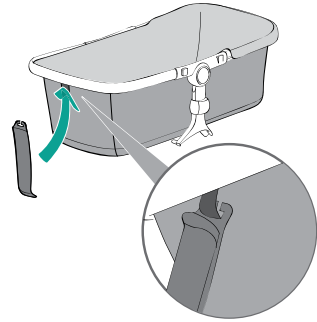
06



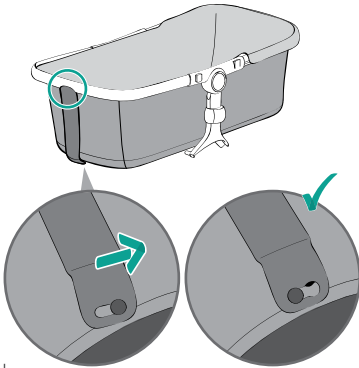
07



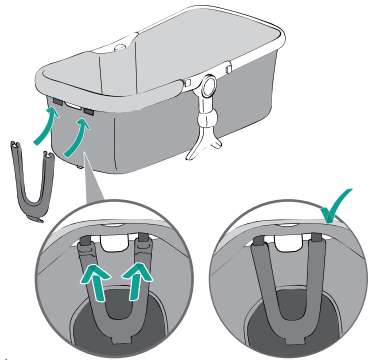
08



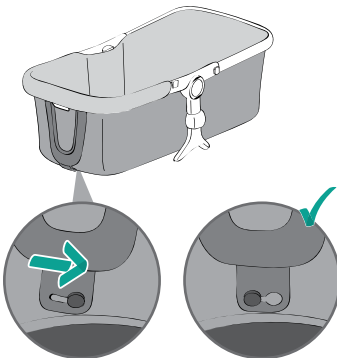
09



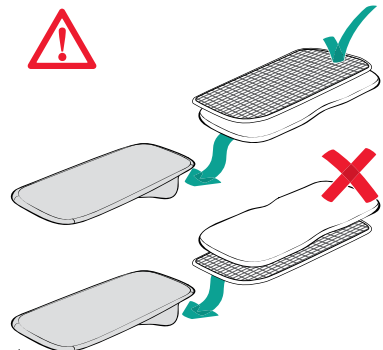
10



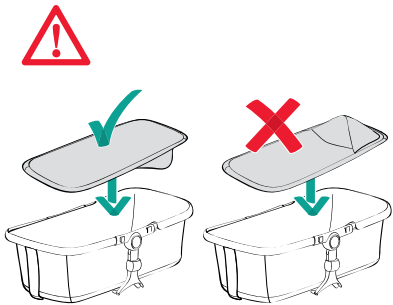
11



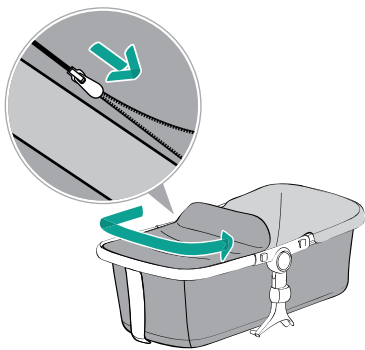
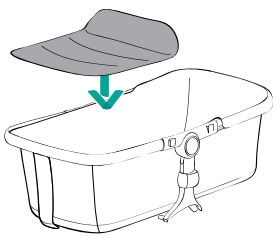
12



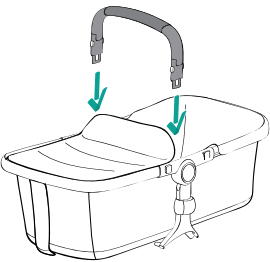
13



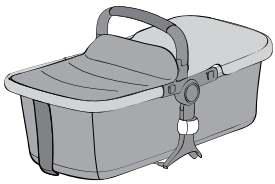
14

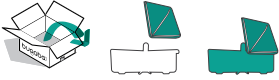


15

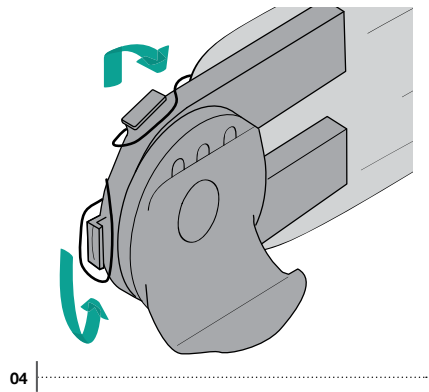
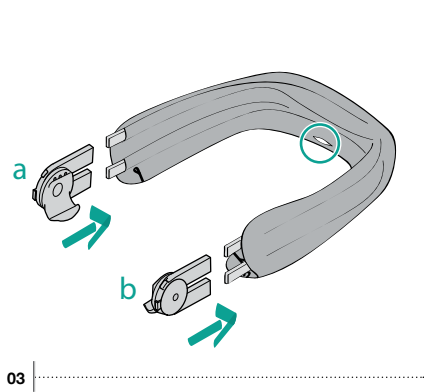
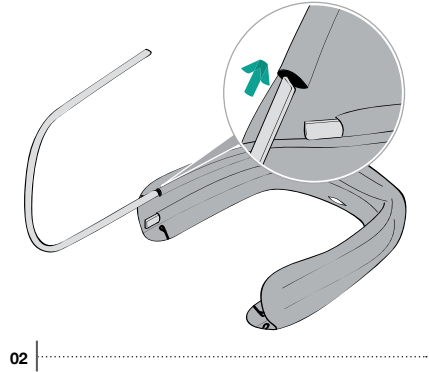
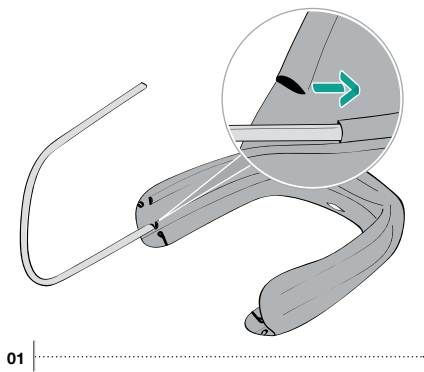
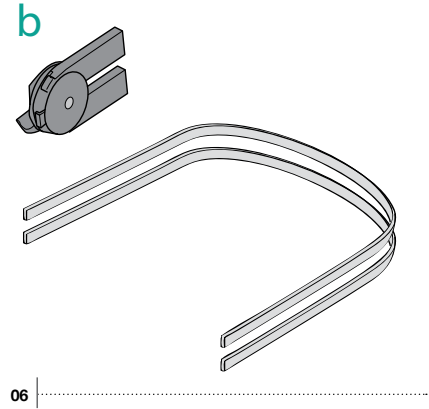
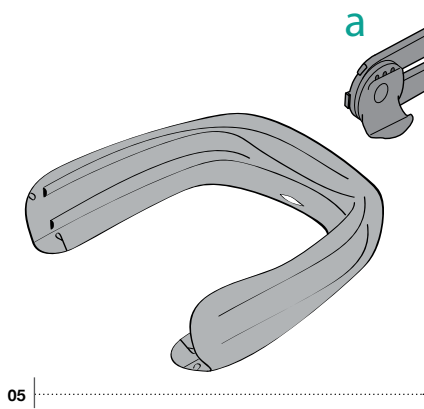


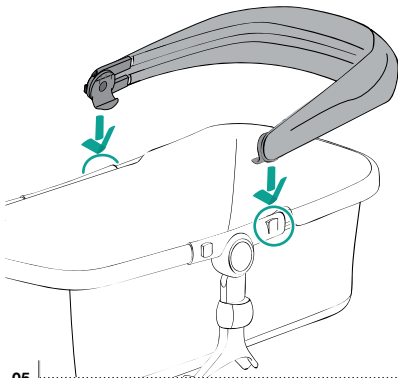
16



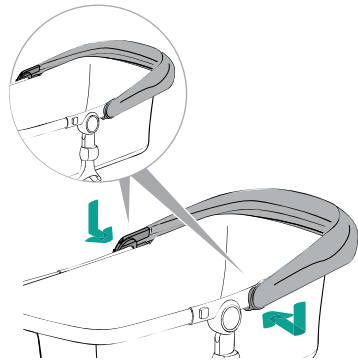


www.bugaboo.com/fox/howto

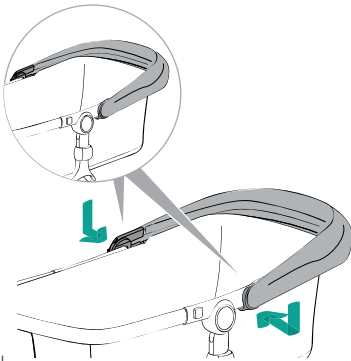




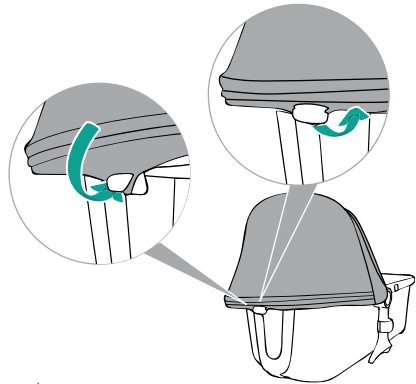
05



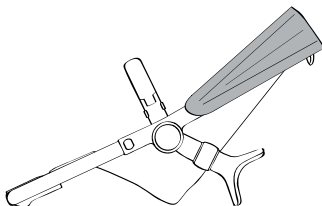
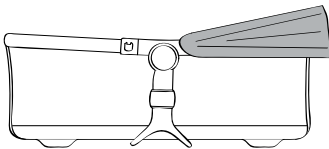
06



07



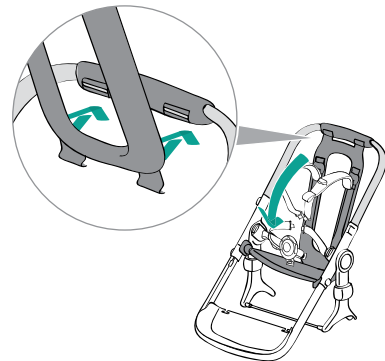
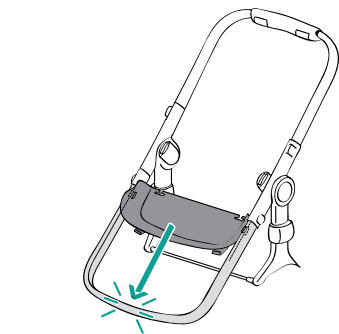
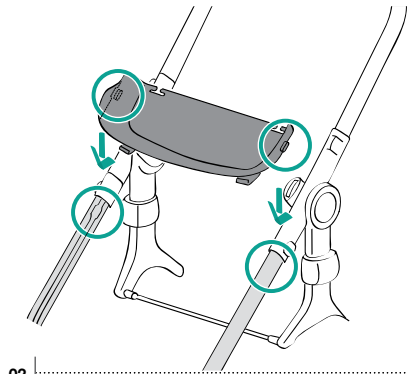
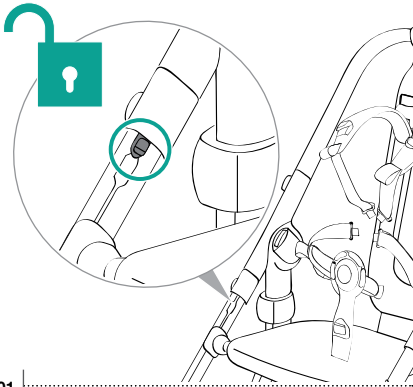
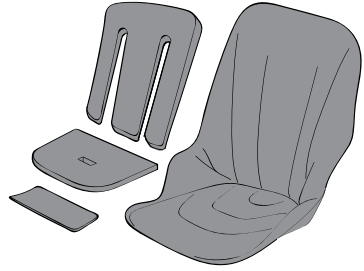
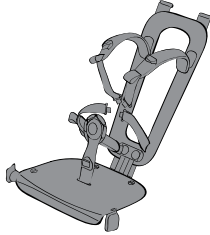
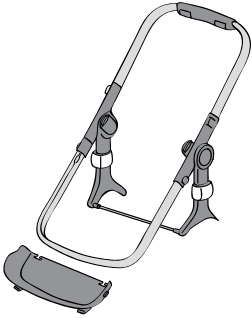
08

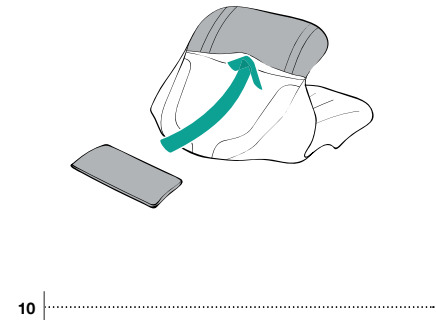
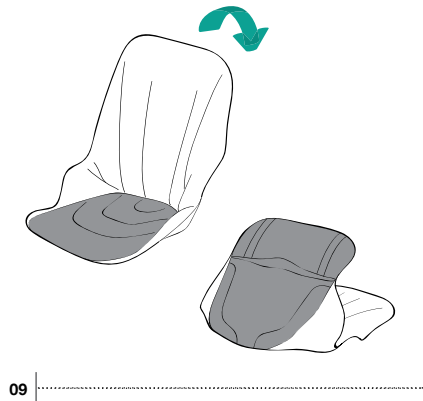
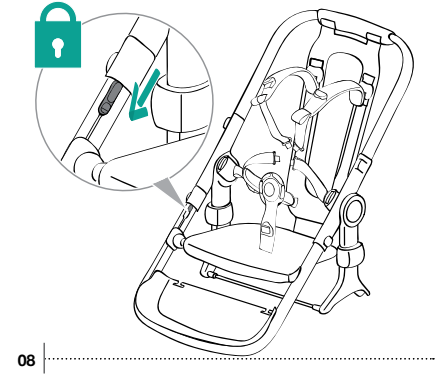
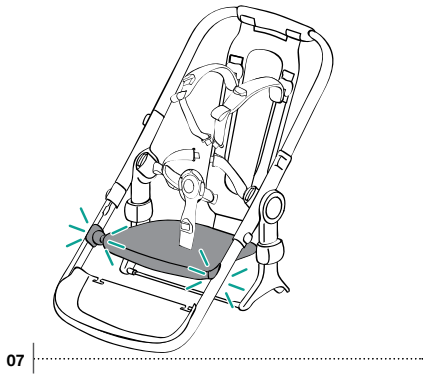
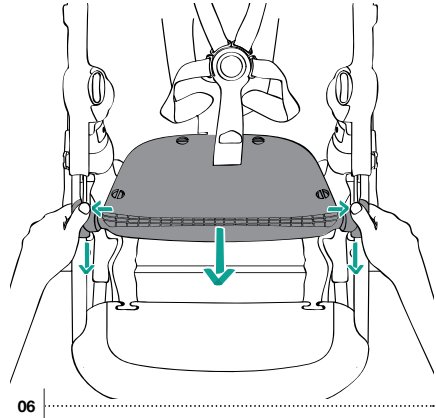
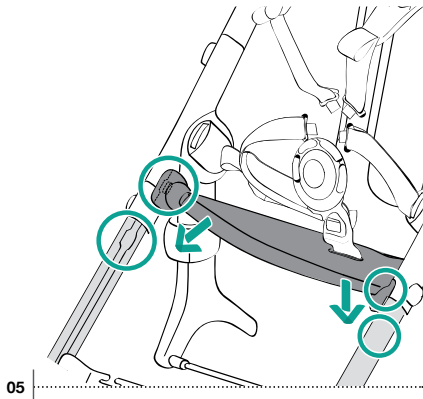


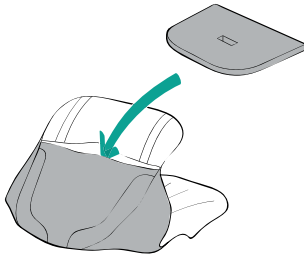
09



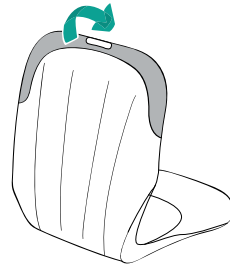
www.bugaboo.com/fox/howto



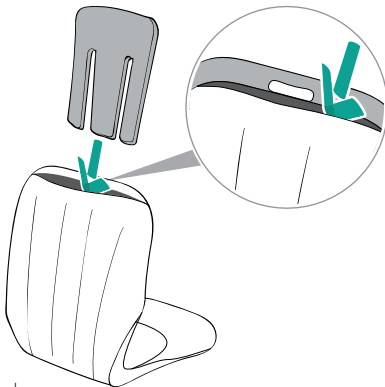




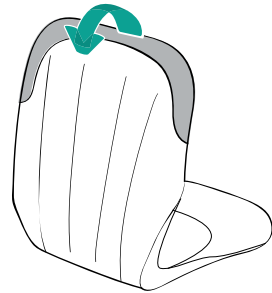
11



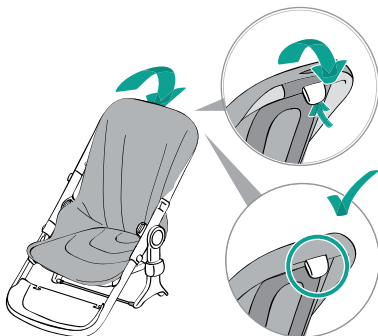
12



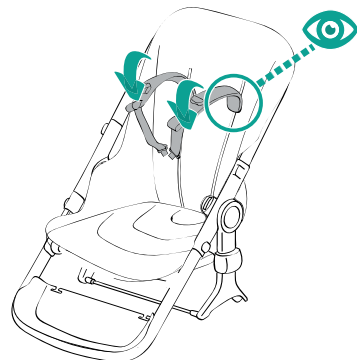
13



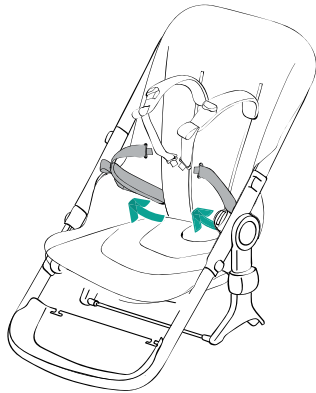
14



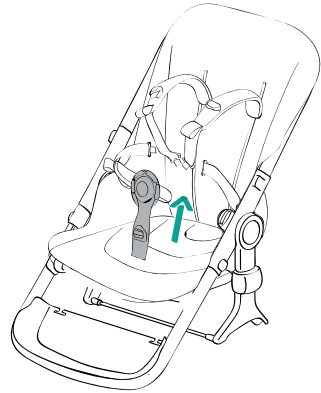
15



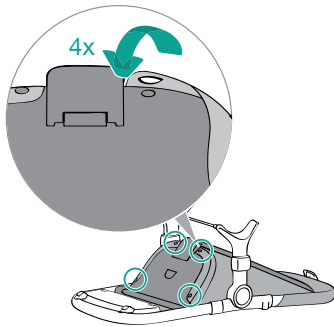
16



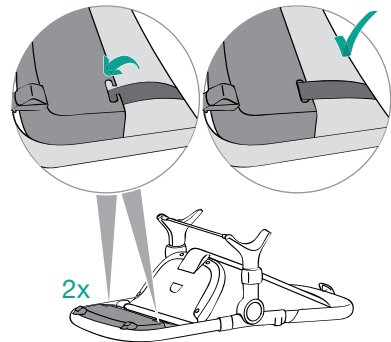
17



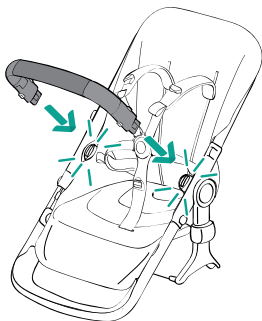
18



19

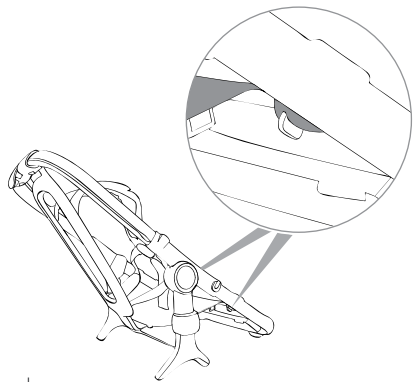


20

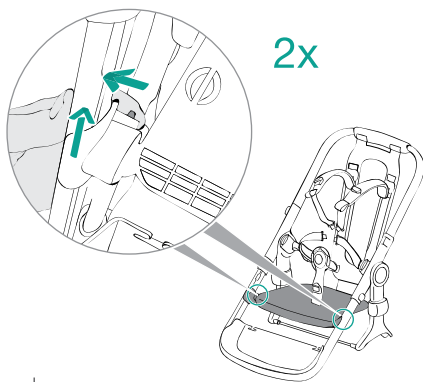


21

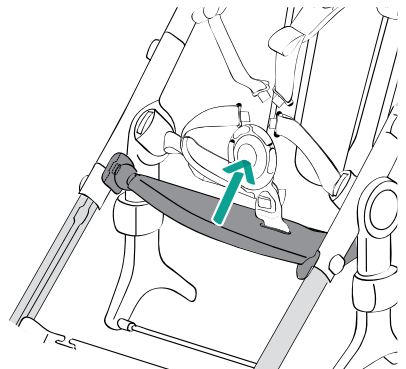




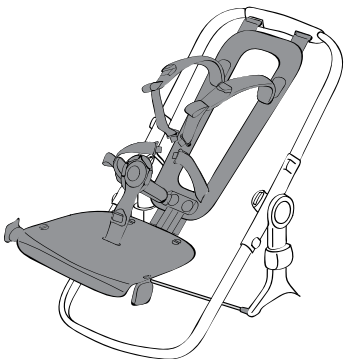
01 |



02 |



03 |



04 |

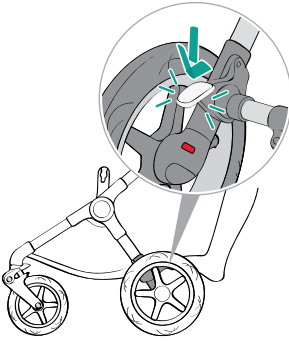


features | Please pay extra attention to all the features of the Bugaboo Fox. This enables you to use this product to the fullest and secures a smooth ride for you and your child.

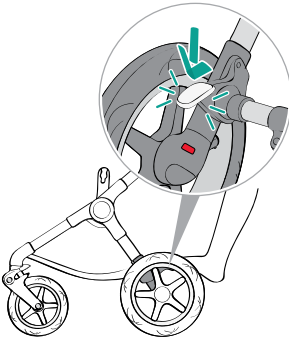
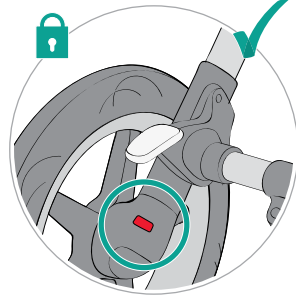
Realiza la acción en ambos lados del producto. Presta mucha atención a todas las funciones del Bugaboo Fox.



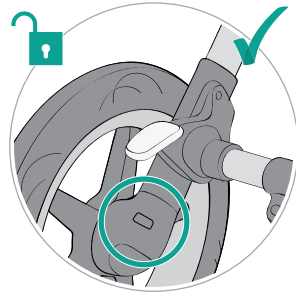
www.bugaboo.com/fox/howto

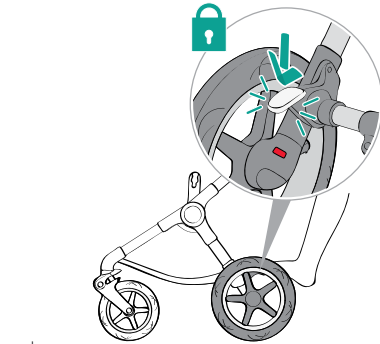


01

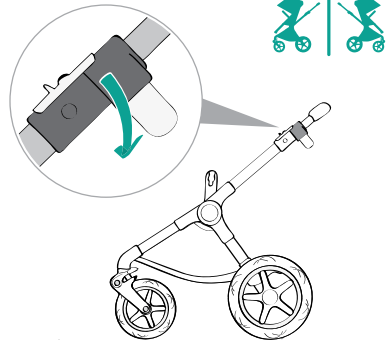


02

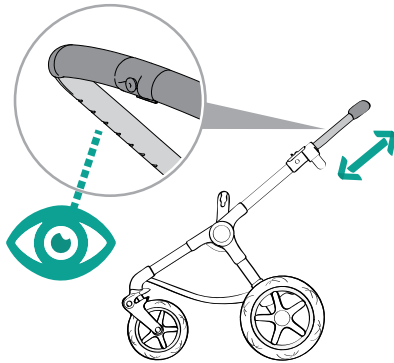




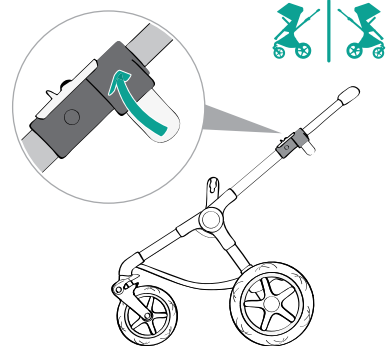
01



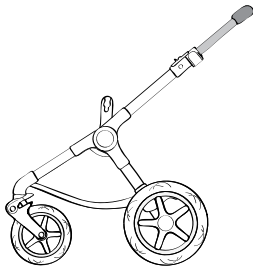
02

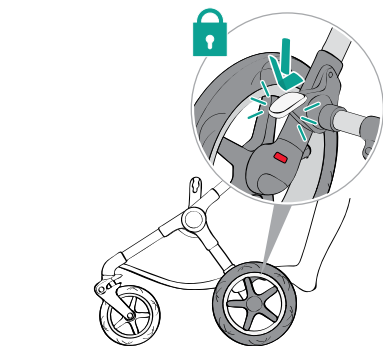


03

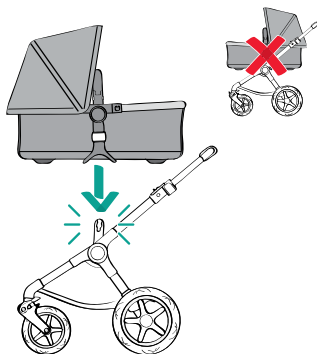


04

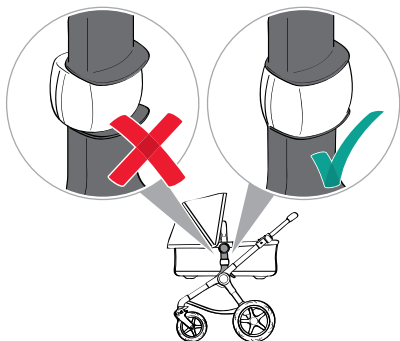




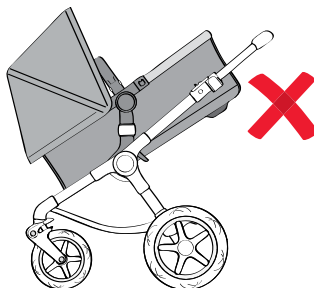
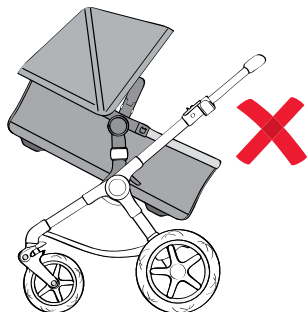
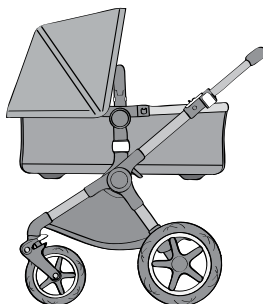
01

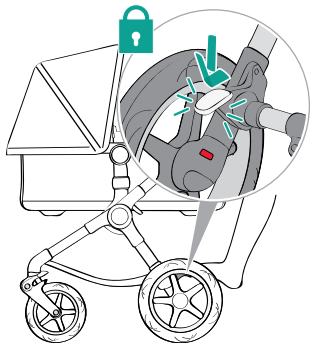


02

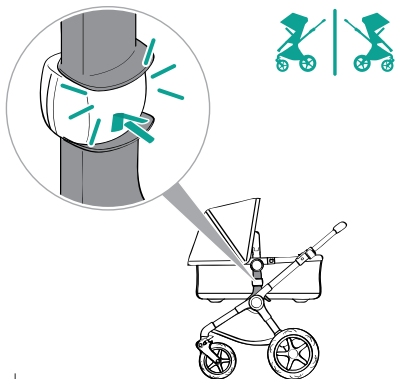


03

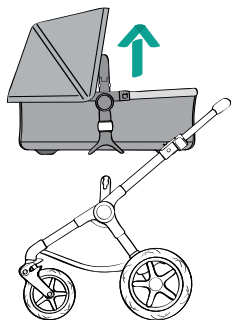




01 |



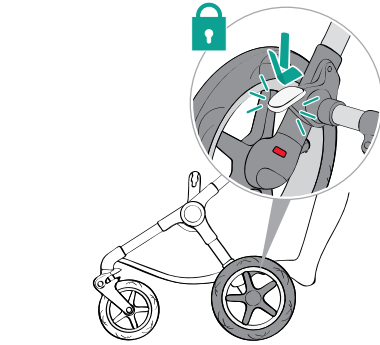
02 |



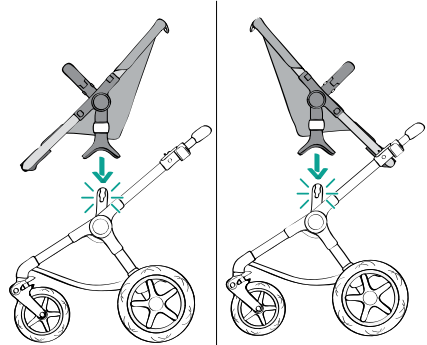
03 |



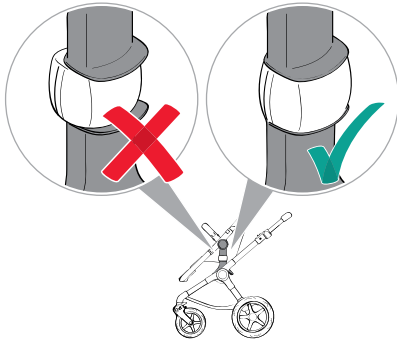
www.bugaboo.com/fox/howto



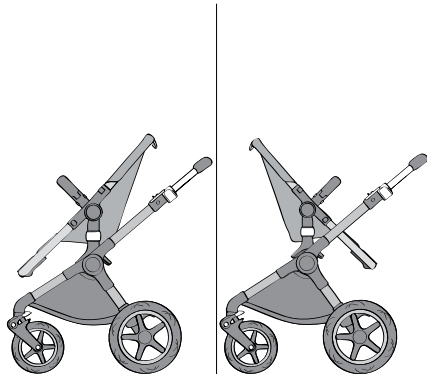
01



02

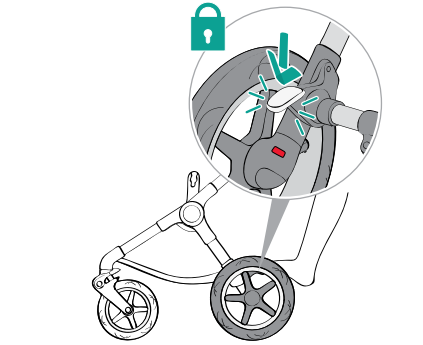


03

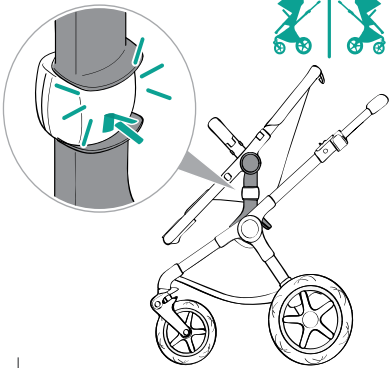




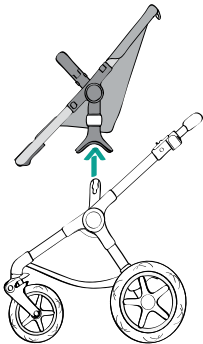
www.bugaboo.com/fox/howto



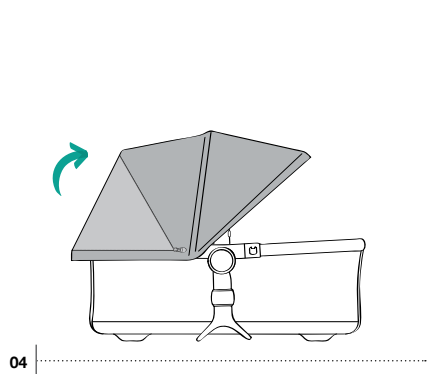
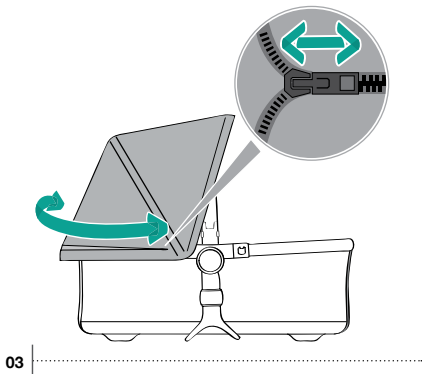
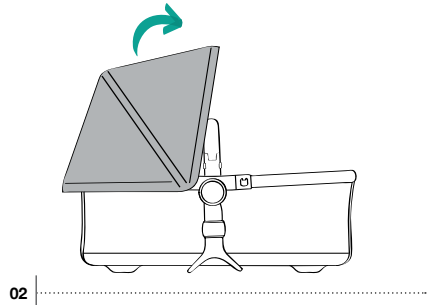
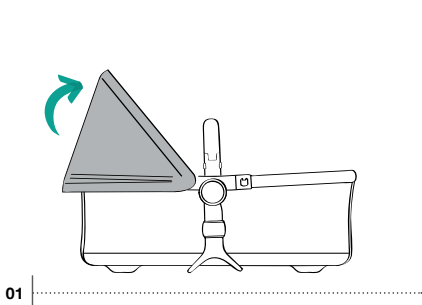
01



02

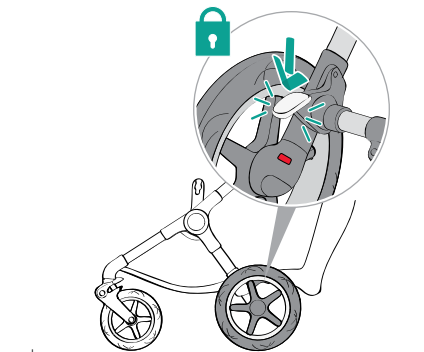


03

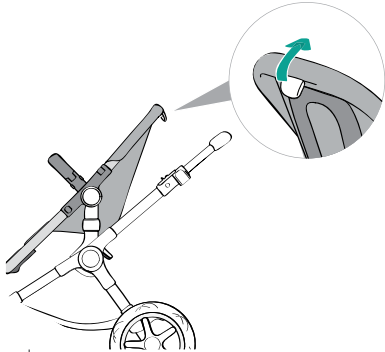




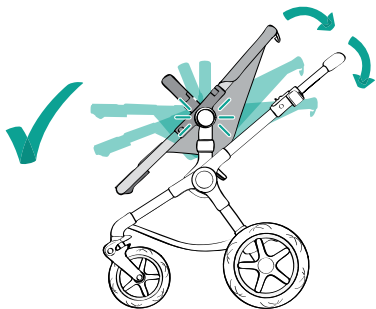
www.bugaboo.com/fox/howto



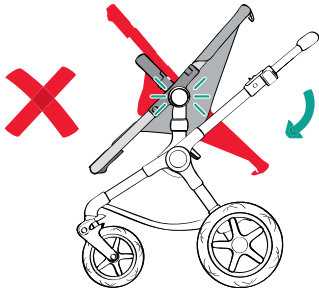
01



02

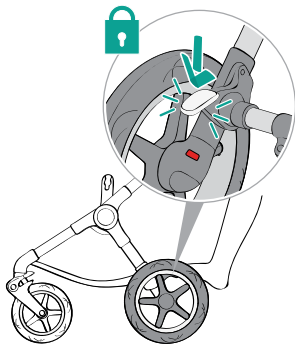


03

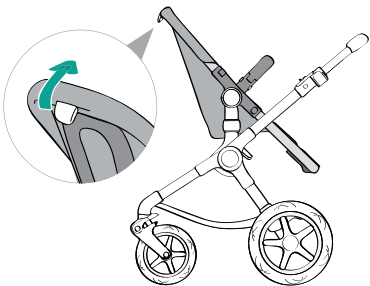




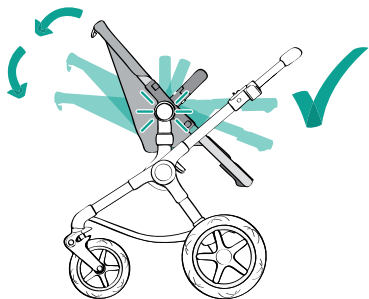
www.bugaboo.com/fox/howto



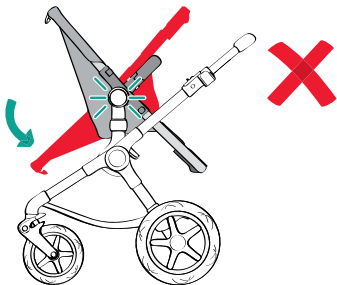
01



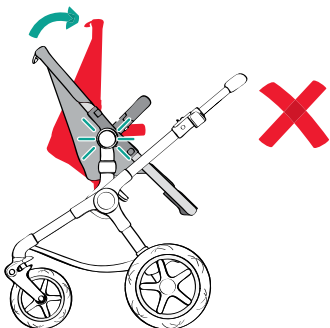
02

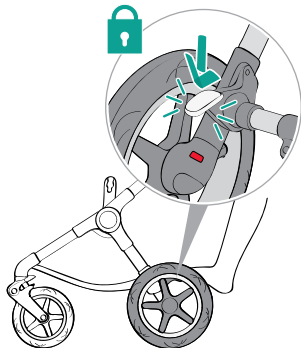


03

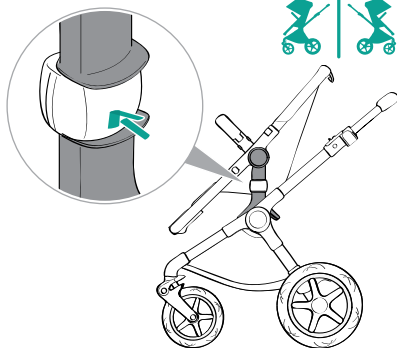


04

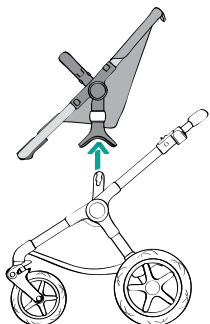




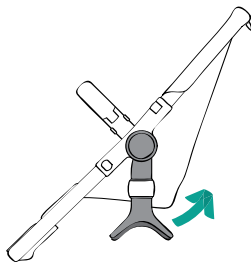
01



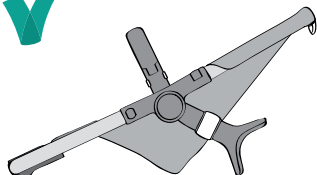
02



03

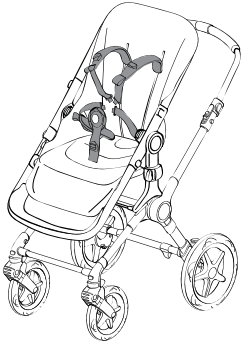


04

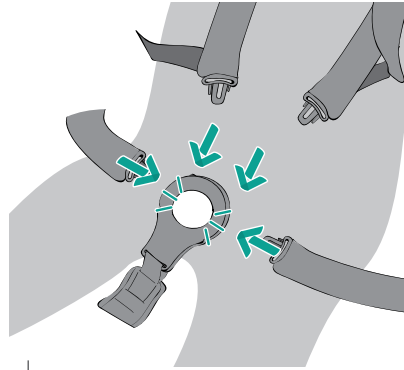




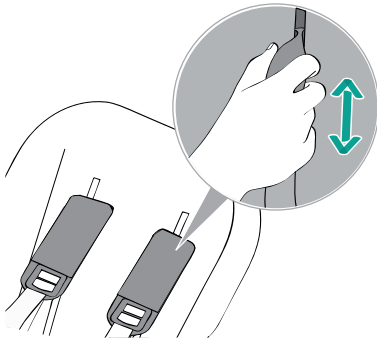
www.bugaboo.com/fox/howto



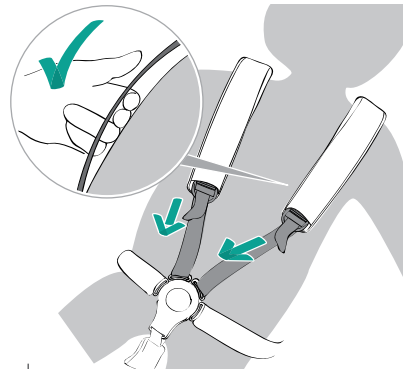
01



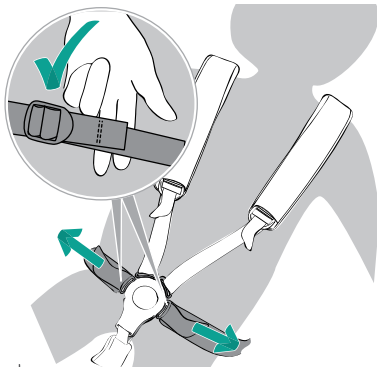
02



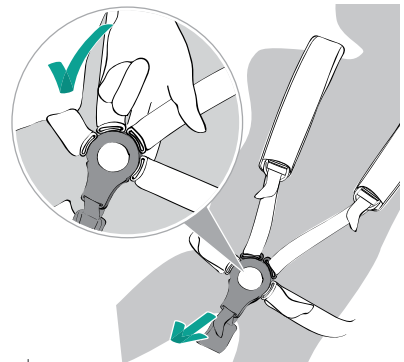
03



04



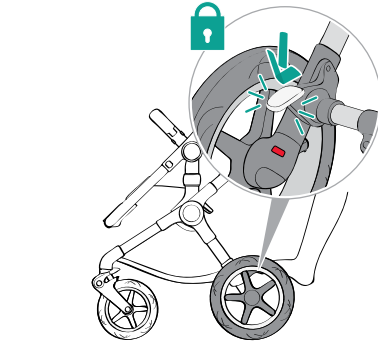
05



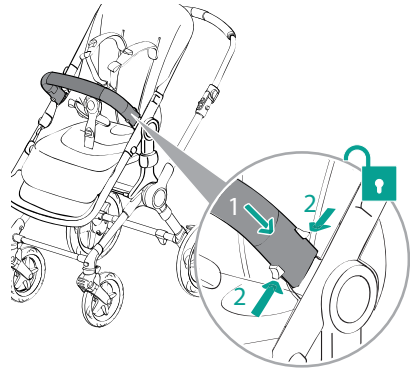
06



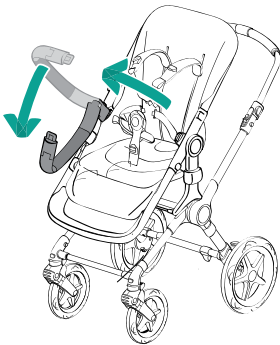
www.bugaboo.com/fox/howto



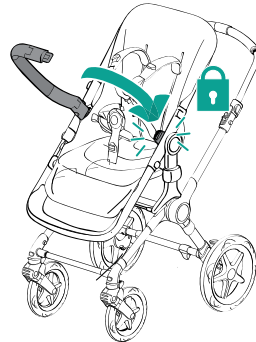
01 |



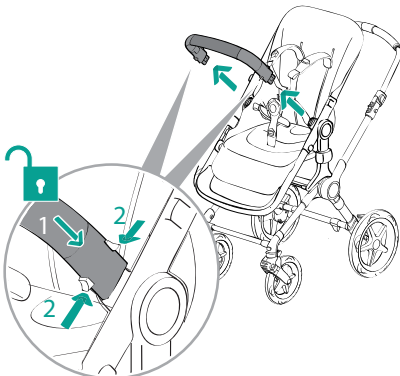
02 |



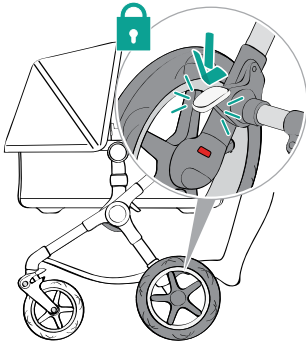
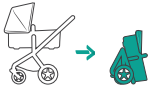
03 |



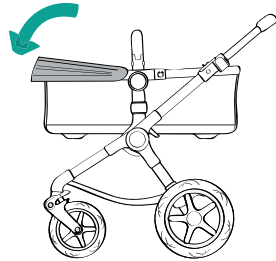
04 |



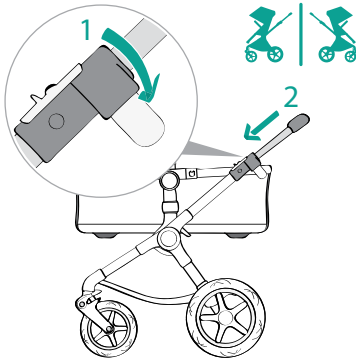
05 |



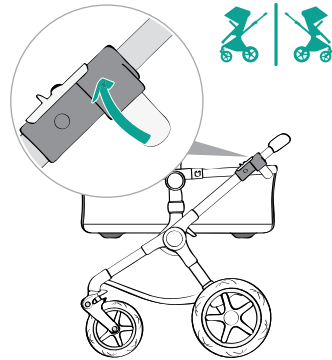
01



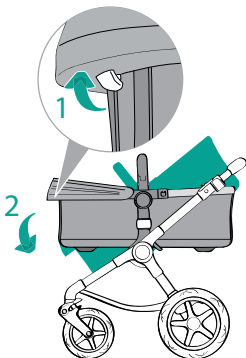
02



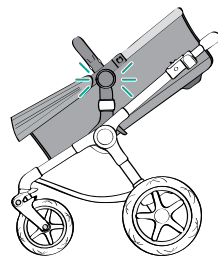
03



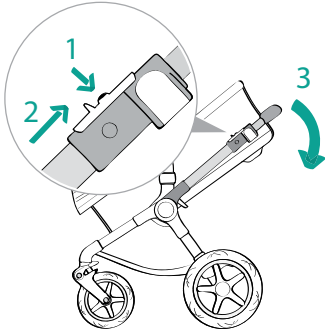
04



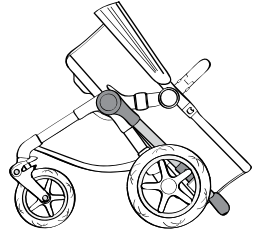
05



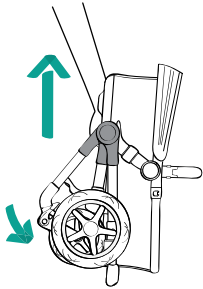
06



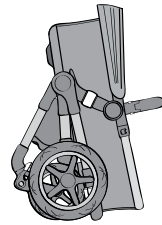
07

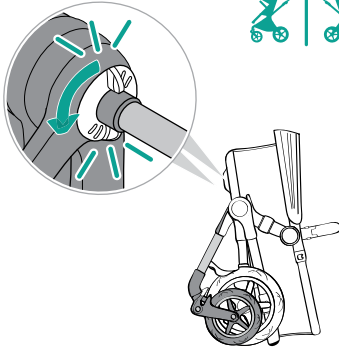
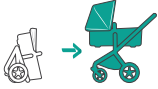


08

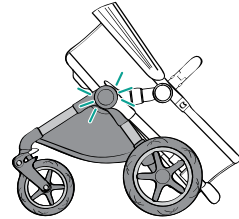


09

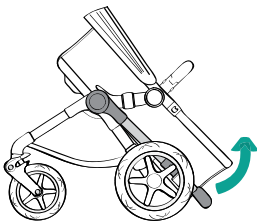




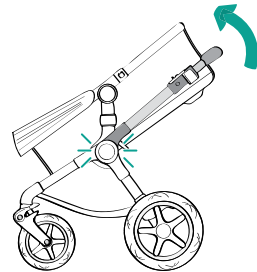
01



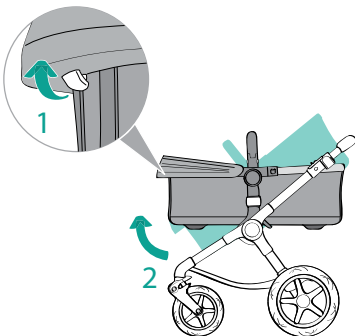
02



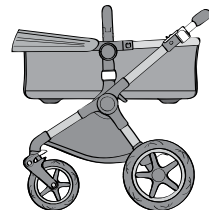
03



04

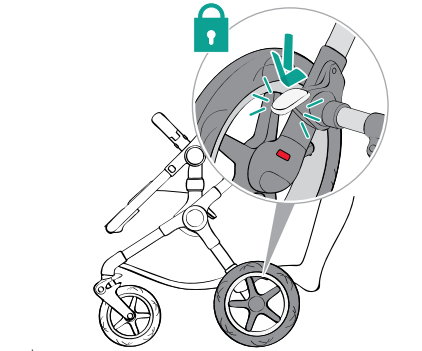


05

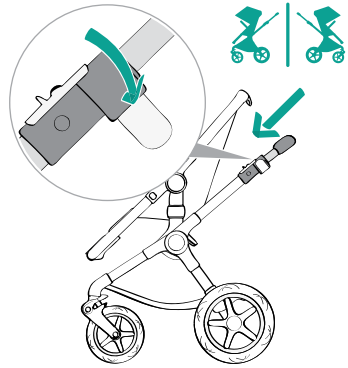




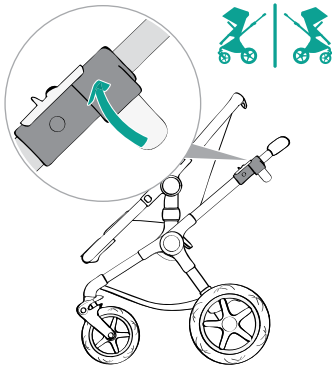
www.bugaboo.com/fox/howto



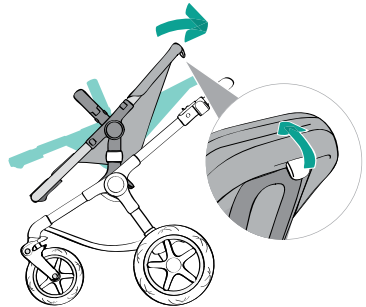
01



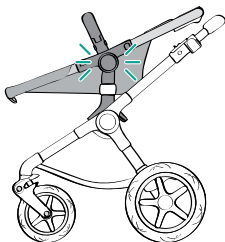
02



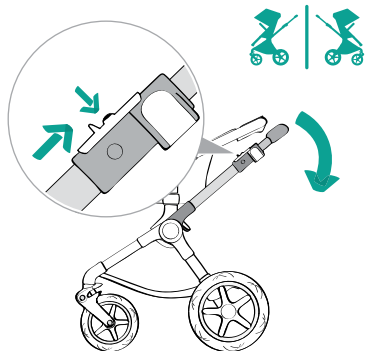
03



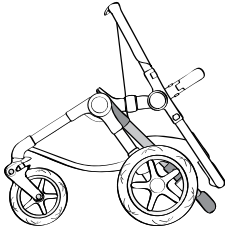
04



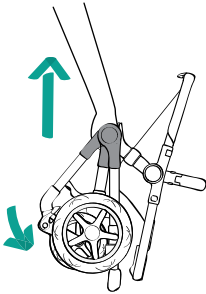
05



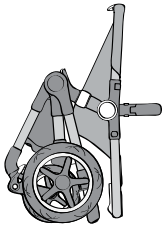
06



07

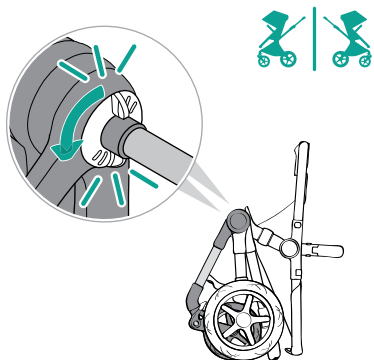


08

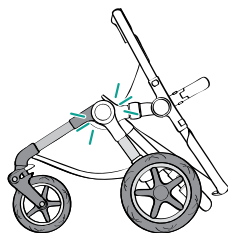




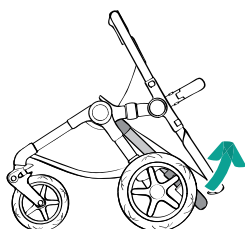
www.bugaboo.com/fox/howto



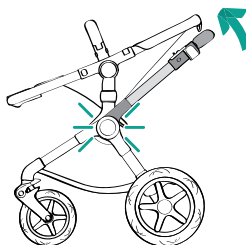
01 |



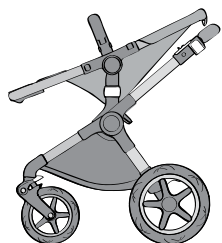
02 |



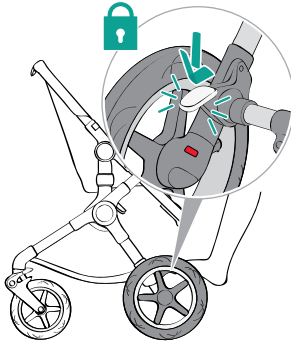
03 |



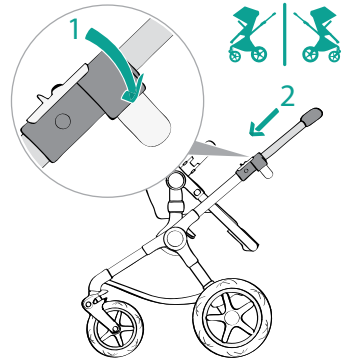
04 |



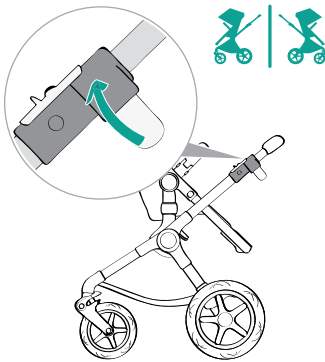
.....



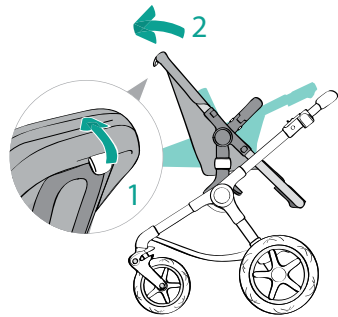
01



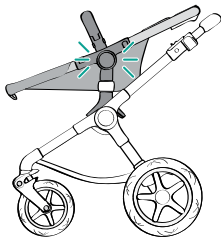
02



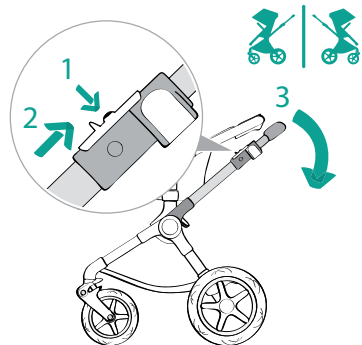
03



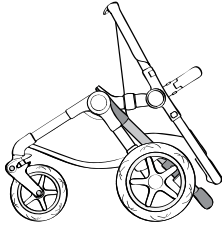
04



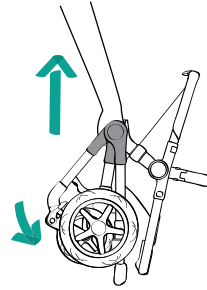
05



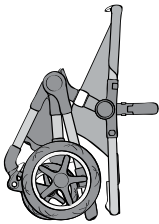
06

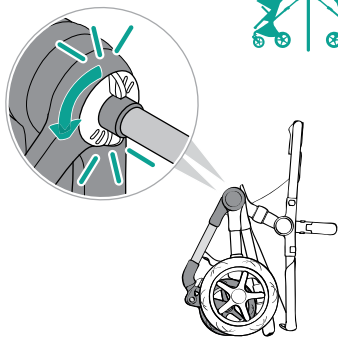


07

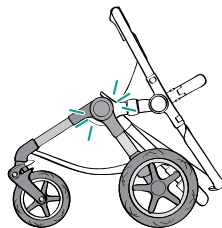


08

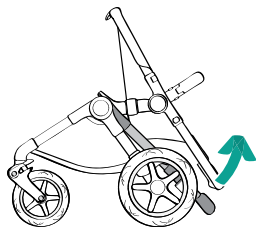




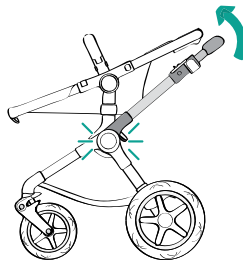
01



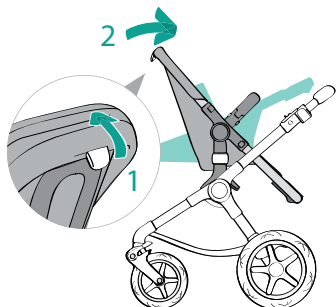
02



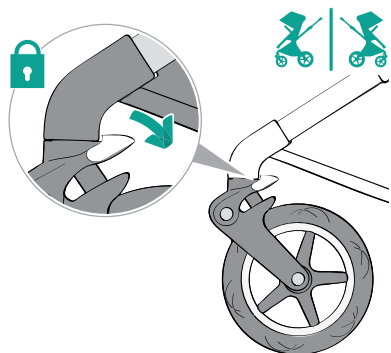
03



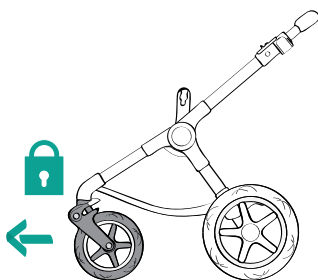
04



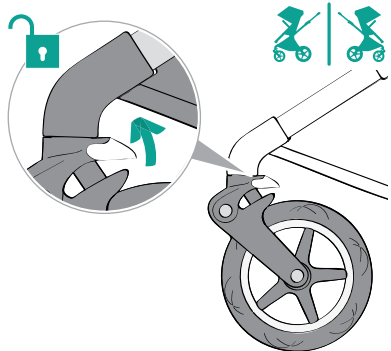
05



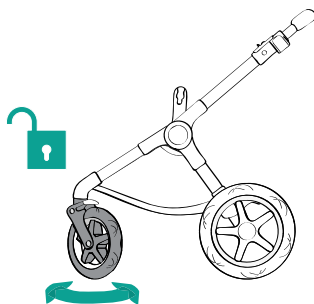
01



02



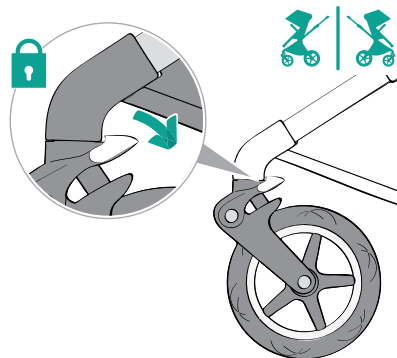
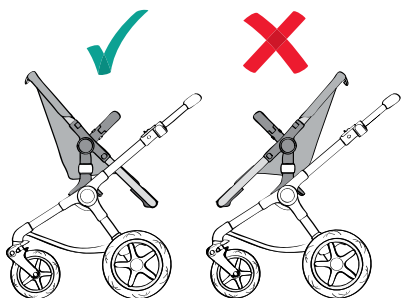
03



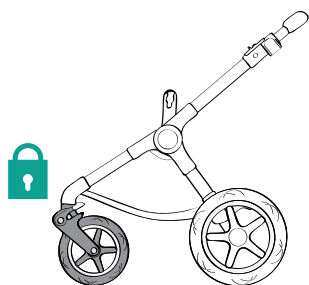
04



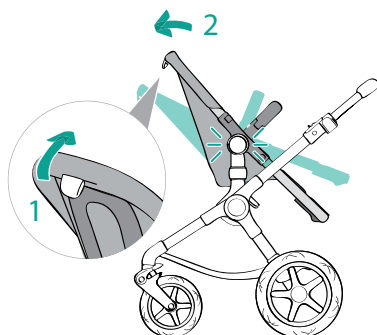
www.bugaboo.com/fox/howto



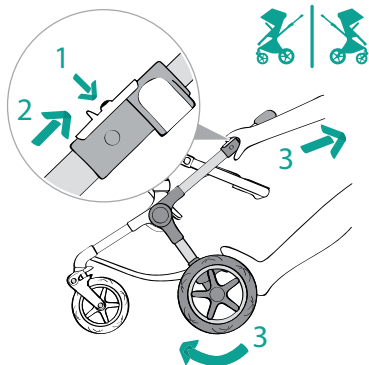
01



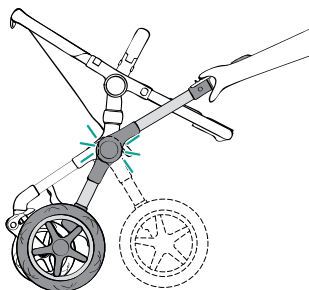
02



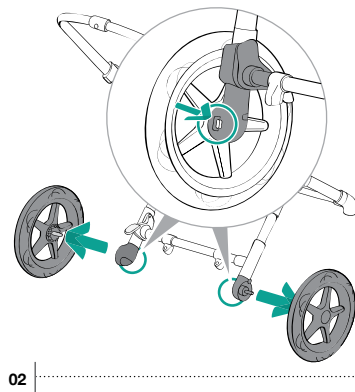
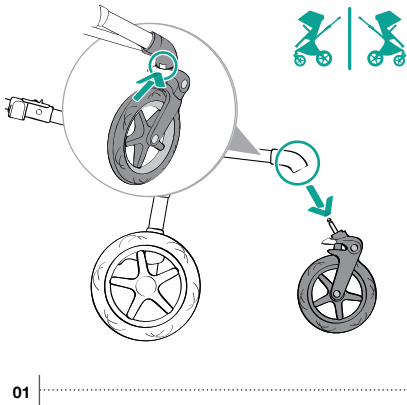
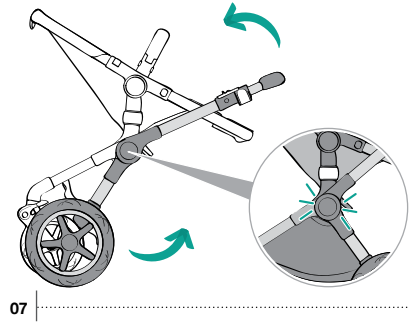
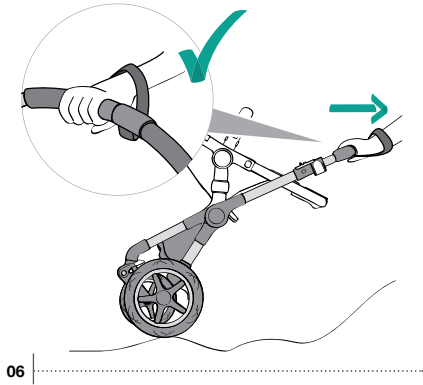
03

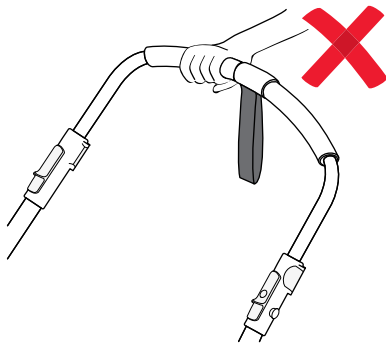
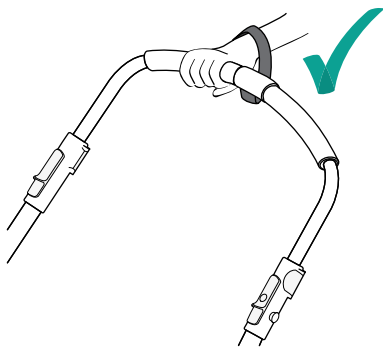


04



05

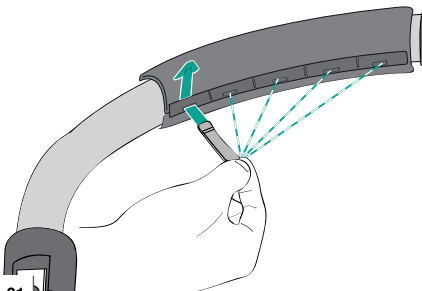
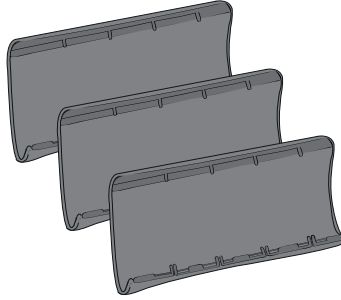




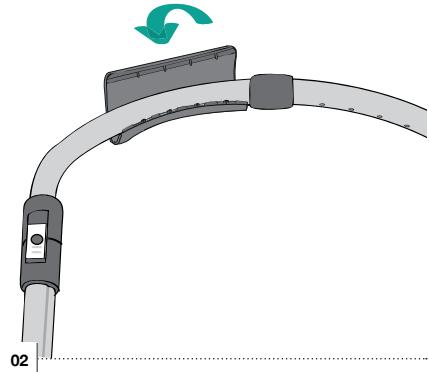
01



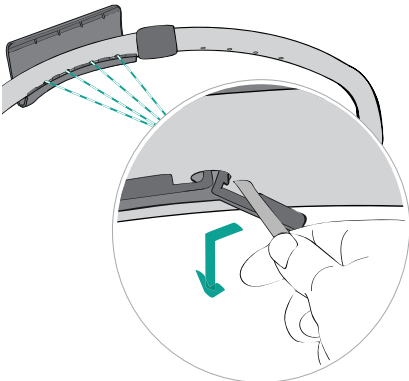
www.bugaboo.com/fox/howto



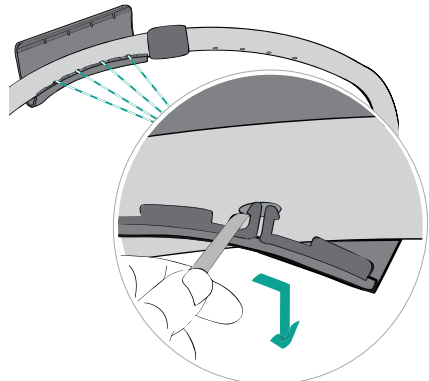
01



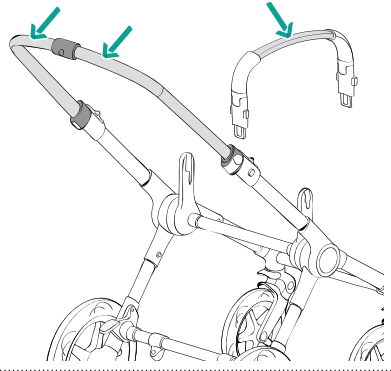
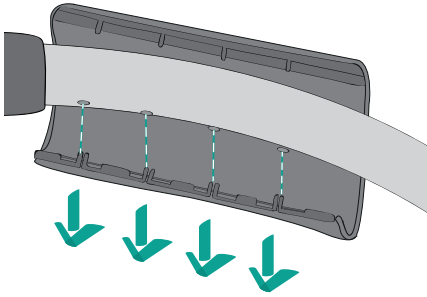
02



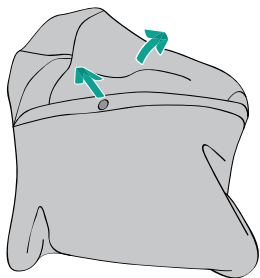
03



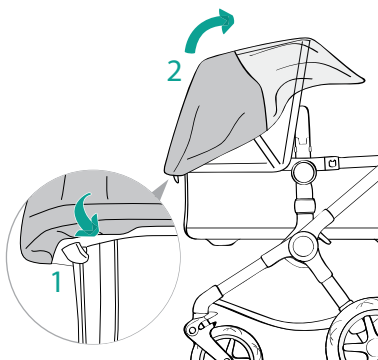
04



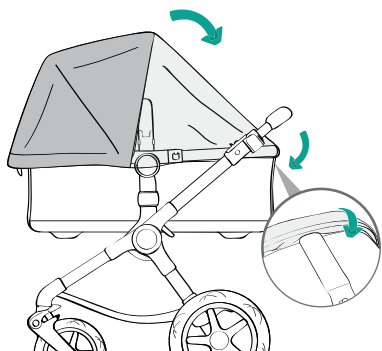
05



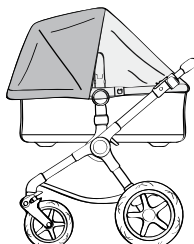
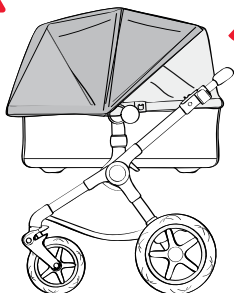
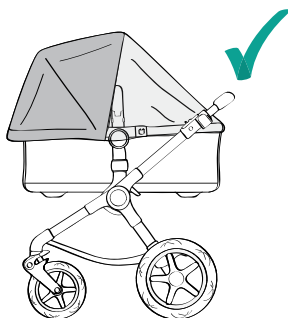
01

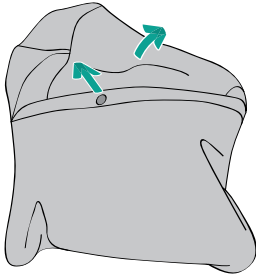


02

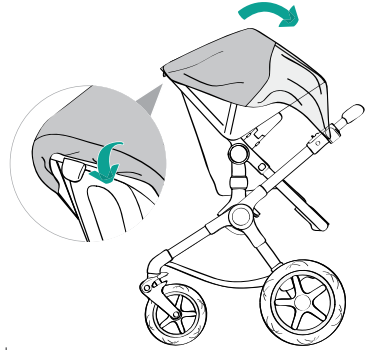


03

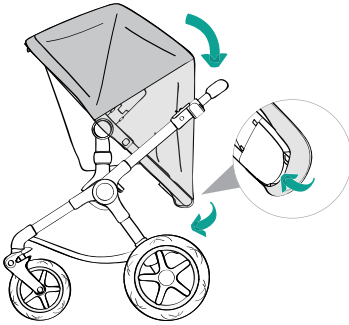




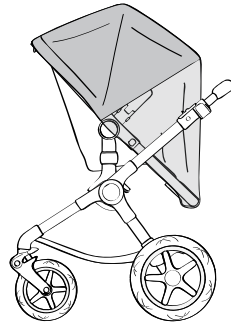
01



02



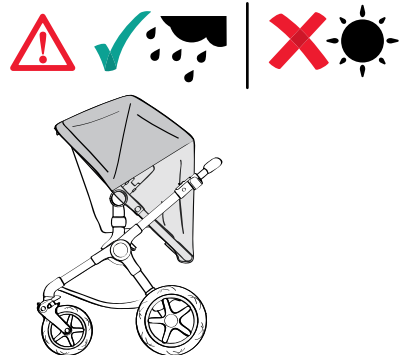
03



04



05



06

The information contained herein is subject to change without notice. Bugaboo International BV shall not be liable for technical errors or omissions contained herein. The purchased product may differ from the product as described in this user guide. Our most recent user guides can be requested at our service departments or at www.bugaboo.com.

© 2018 Bugaboo International BV. BUGABOO, BUGABOO FOX, BUGABOO CAMELEON, BUGABOO BEE, BUGABOO DONKEY, BUGABOO BUFFALO, RUNNER, BUGABOO BOXER and the Bugaboo logos are registered trademarks. The Bugaboo® strollers are patented and design protected.

bugaboo europe

bugaboo international bv
paasheuvelweg 9 a-b
1105 be amsterdam zuidoost
the netherlands

bugaboo americas

bugaboo north america inc.
2150 park place suite 150,
el segundo, ca 90245
united states of america



important information
información importante

EN

ES



“I’ve always had a thing for wheels. Wheels get you from A to B with this weightless, gliding sensation that just makes you feel free. That feeling of freedom - the sheer effortlessness of it - gives you energy, makes you happy, and empowers you to really go places.”

— Max Barenbrug, Bugaboo Co-founder and Chief Design Officer

We would like to thank you for buying the Bugaboo Fox. Our strollers are a great investment because they are built to last from durable materials and fabrics. Nothing gives us a kick like seeing a well-traveled Bugaboo with mud on its wheels and stories to tell. Over the years we are proud to have seen our high-quality product passed down through generations.

The Bugaboo Fox embraces your complete lifestyle: going outdoors, travelling and shopping are easy and always smooth. It's got the lightest push – no effort, just go. Take this stroller anywhere, from city streets to snowy trails - the advanced all-wheel suspension and big tires ensure a smooth, stable ride for you and your child no matter the surface. The easy-access underseat basket means you can bring along everything you need. With an ultralight frame and seamless fold you can easily carry the stroller into your house or car, or use the super-compact fold for stress-free storage. The Bugaboo Fox doesn't compromise on quality, appearance or comfort.

When you read this user guide we advise you to pay extra attention to all the features of the Bugaboo Fox such as: the reversible

and reclinable seat, the adjustable handlebar with soft leather-look grips, the compact fold and many more! This enables you to enjoy your Bugaboo Fox to its fullest and secures a smooth ride for you and your child.

Both the features and the assembling instructions of the Bugaboo Fox can be found in the instruction drawings of this user guide. This user guide also contains other important information such as care & maintenance tips and how to use this stroller safely. Read these instructions carefully before use and keep for future reference. If you have any questions or you need support, please do get in touch with us. Our service team is here to help. You can find the service contact details further down this user guide.

**From everyone at Bugaboo:
Enjoy life on the move
with your family day after day!**



SHARE YOUR JOURNEY



@teresalobarregui @aarikalee @thereal_littlebirdsmama @pobke @therealtumi @natalykursova



CLEANING & MAINTENANCE TIPS

Before cleaning always refer to the fabric label for washing instructions.

BASSINET AND APRON. The Bugaboo Fox bassinet fabrics are detachable and machine washable. Detach the stiffeners from the bassinet fabric before washing.

SEAT. The Bugaboo Fox seat fabric is detachable and machine washable. The foam inside the seat fabric should be taken out before washing. The foam can be cleaned with a damp cloth. Insert the foam back in the seat fabric after cleaning before assembling the seat fabric back in your Bugaboo Fox. Do not use the seat without the foam.

MATTRESS. The Bugaboo Fox mattress cover and the aerated inlay of the mattress are detachable and machine washable. The aerated inlay is placed on top of the mattress foam and can be removed by taking off the mattress cover. The mattress foam can be cleaned with a damp cloth. After washing, ensure that all mattress parts are dry and replaced in their original position. The aerated inlay should be placed on top of the foam mattress, please refer to the instruction drawings. Do not use the mattress without the aerated inlay.

CANOPY. The Bugaboo Fox sun canopy is detachable and machine washable.

UNDERSEAT BASKET. The Bugaboo Fox underseat basket is non-washable, but can be wiped clean with a damp cloth.

GRIPS. Grips are non-washable but can be wiped clean with a damp cloth.

CHASSIS. Clean the chassis with a soft towel and lukewarm water and wipe off any remaining water with a dry cloth. Use a soft brush to clean sand and dirt from the mechanisms and sliding tubes of the chassis. Take care to brush away from any sliding joints.

WHEELS. Periodically, remove the wheels from the chassis and brush off any dirt or sand in the inside axle of the wheel. Do not submerge the wheel bearings in water. Use a brush and water to clean dirt on the wheels.

RAINCOVER. Clean with damp cloth only.

WET CONDITIONS. Store your Bugaboo Fox and its accessories in a dry place and leave them to dry unfolded to prevent mold.



LIMITED WARRANTY

(for USA and Canada only)

WHAT DOES THIS WARRANTY COVER?

This warranty covers any defects in the chassis, frames, wheels, frame and car seat adapters, zippers, harnesses, seams in the covering, Velcro, and colorfastness of your Bugaboo product, with the exceptions stated below.

WHAT DOES THIS WARRANTY NOT COVER?

This warranty does not cover claims and damage from:

1. normal wear and tear,
2. misuse such as, but not limited to, improper storage and product care,
3. maintenance and use other than that indicated in the user guide,
4. failure to follow the instructions in the user guide,
5. abuse, neglect, carelessness, or accident,
6. caused by the modification or alteration of the product,
7. air transportation or freight damage,
8. damage to tires such as holes or tears, and
9. incorrect mounting or installation of third party parts that are incompatible with the product.

This warranty does not cover a Bugaboo product whose serial number has been damaged or removed. This warranty only covers damage and defects and does not extend to claims that you may have regarding dissatisfaction with the product in terms of its fit, weight, functionality, color or design.

This warranty is limited to consumers - buyers of the product for their personal use or personal family or household purposes. This warranty does not extend to unauthorized purchasers of the product intended for resale or for purchasers who intend to use this product for commercial use such as rental of the product to others.

WHAT IS THE PERIOD OF COVERAGE?

This warranty remains in force for two years from the date of purchase as long as you are the original purchaser who owns the Bugaboo product. You must keep your receipt as proof of the date of purchase. Replacement or repaired parts will only be warranted for the remaining period of the original warranty.

WHAT WILL WE DO TO CORRECT PROBLEMS?

We will repair your Bugaboo product at no cost to you, or if repair is not possible, replace the product. We will pay for transportation from and to the retailer that will service your Bugaboo product, as long as the repair or replacement is covered by this warranty.

Bugaboo reserves the right to stop manufacturing a particular model, colour, fabric or accessory, and therefore it will replace a part with a similar product, colour or fabric during the period of this warranty.

HOW CAN YOU GET SERVICE?

To obtain service for your Bugaboo product, contact the retailer from which you purchased the product. If the retailer is unable to arrange for the service of your product or if Bugaboo was your retailer, please contact us via e-mail at serviceus@bugaboo.com, telephone at 1-800-460-2922.

When you submit a claim for service, you must provide a copy of the purchase receipt, a description of the issue with the product, and the product and/or photographs of the product or part which is broken or not working properly.

HOW WILL STATE LAW AFFECT YOUR CUSTOMER'S RIGHTS UNDER THIS WARRANTY?

To the extent permitted by law, this warranty is exclusive and in lieu of any other warranty, written or oral, including but not limited to any express warranty of merchantability or fitness for a particular purpose. The duration of any implied warranties, including any implied warranty of merchantability or fitness for a particular purpose, is expressly limited to this warranty period. Your exclusive remedy for breach of this warranty or of any implied warranty or of any other obligation arising by operation of law or otherwise shall be limited as specified herein to repair or replacement, at our sole option. Responsibility for incidental or consequential damages is expressly excluded.

This warranty gives you specific legal rights; you may have other rights that vary from state to state or province to province. Some states or provinces do not allow limitations on how long an implied warranty lasts and/or do not allow an exclusion or limitation of incidental or consequential damages. Therefore, the above limitations and exclusions may not apply to you.

**REGISTER YOUR PRODUCT**

Keep informed about safety announcements or product upgrades specific to your Bugaboo product by registering your product via www.bugaboo.com/productregistration.

We offer extra warranty if you register your product within 3 months of purchase. You can easily register on our website. Check www.bugaboo.com/extra-warranty for more info. Registration also speeds up the process when you get in touch with our service team. Please note: you still need your proof of purchase for warranty claims.



USEFUL SAFETY INFORMATION AND WARNINGS

IMPORTANT — Read these instructions carefully before use and keep for future reference. Failure to follow these warnings and the instructions could result in serious injury or death. To avoid dangerous situations please take a few minutes to read the information below.

The Bugaboo Fox is certified by:

- ASTM F833 (latest version) and ASTM 2050 (latest version) and is certified by the Juvenile Products Manufacturing Association (JPMA).

CHILDREN NEAR YOUR STROLLER

1. NEVER leave your child unattended.
2. Do not let your child play with the Bugaboo Fox.
3. To avoid injury ensure that your child is kept away when (un)folding and when making adjustments to this product.
4. Do not let other children play unattended near the bassinet.
5. Keep children and appendages away from the adapter interface when attaching the car seat.

BEFORE USE

6. The carry handle and the bottom of the bassinet should be inspected regularly for signs of damage and wear.
7. Check that the bassinet or seat unit or car seat attachment devices are correctly engaged before use.
8. Ensure that all the locking devices are engaged before use and always apply the brake when loading or unloading your child.
9. Before carrying or lifting the bassinet make sure that the carry handle is in correct position of use.
10. Before each use ensure that the harness is working properly and the handlebar is locked.
11. **FALL HAZARD** - Always check that the bassinet is securely locked on the base/stand by pulling upwards on the bassinet bed.

USAGE RESTRICTIONS

Product in general

12. The Bugaboo Fox is suitable for children from 0 to 48 months (22 kg / 48.5 lbs).
13. Maximum weight for the underseat bag is 10 kg (22 lbs) / 35 l.
14. Unstable hazardous conditions may exist if any of the recommended load by Bugaboo is exceeded and if package carrying accessories are added onto the product.
15. Never pick up the Bugaboo Fox and chassis by the carry handle while your child is lying or sitting in the bassinet or seat.
16. Take your child out of the Bugaboo Fox when going up or down stairs and around steep or unstable conditions. Also, take extra care when going up or down a curb or other uneven surfaces. Do not take your stroller on the escalator.
17. The Bugaboo Fox is designed for one child only. An additional child may ride along on the optional Bugaboo wheeled board, according to the usage instructions.
18. Do not allow children heavier than 20 kg (44 lbs) to stand on the Bugaboo wheeled board.
19. The Bugaboo Fox frame (no. 230582 or 230583) should only be used with the Bugaboo Fox chassis (no. 230330 or 230340). Do not use Bugaboo Fox parts or components with any non-approved stroller or any other Bugaboo product.
20. Only use authentic Bugaboo replacement parts and Bugaboo accessories or products approved by Bugaboo for use with the Bugaboo Fox. It is unsafe to use products that are not approved by Bugaboo.
21. Strings can cause strangulation! Do not place items with a string around a child's neck, such as hood strings or pacifier cords. Do not suspend strings over a bassinet or cradle or attach strings to toys.
22. Do not use the Bugaboo Fox or any of its components near open flames or other sources of heat. Avoid exposing the Bugaboo Fox to extreme temperatures.
23. The Bugaboo Fox is not resistant to saltwater.
24. It is possible that on floors such as synthetic laminates, parquet, linoleum and carpet (organic surface floors), rubber black tires may leave permanent marks. Should you have a floor as mentioned above we recommend to be careful

with indoor usage.

25. This product is not suitable for running or skating.

BASSINET SPECIFIC

26. Maximum weight for the child in the bassinet is 9 kg (20 lbs).
27. This product is only suitable for a child who cannot sit up unaided.
28. **FALL HAZARD** - To help prevent falls, do not use this product when the infant begins to push up on hands and knees or has reached 9 kg (20 lbs), whichever comes first.
29. To reduce the risk of SIDS, pediatricians recommend healthy infants be placed on their backs to sleep, unless otherwise advised by your physician.
30. **SUFFOCATION HAZARD** - On soft bedding use only the mattress, including sheet cover and aerated inlay, provided by Bugaboo for the Bugaboo Fox. NEVER add a pillow, comforter, or another mattress for padding.
31. Do not use the bassinet or a car seat in the two wheel position.

SEAT SPECIFIC

32. The seat is not suitable for children under 6 months.
33. **FALL HAZARD** - Avoid serious injury from falling or sliding out. Always use the complete five point restraint system.
34. Children have **STRANGLED** in loose or partially buckled harness straps. Fully restrain the child at all times.
35. Never let your child stand up in the seat. Be careful because children may stand up even when the seatbelt is fastened.
36. Always use the wrist strap when in two wheel position.
37. **WARNING:** Do not use the seat facing world on the 2-wheel position. It is not an intended use position.

USING BASSINET OR SEAT OFF THE CHASSIS

38. Maximum weight for the child in the seat when used independently of the chassis is 9 kg (20 lbs).
39. Do not use the bassinet or seat off of the chassis once your child can sit unaided.
40. The seat does not replace a cot or bed. The seat is not intended for prolonged periods of sleeping. Should your child need to sleep then place it in a suitable cot or bed.

41. **FALL HAZARD** - Child's activity can move carrier. It is dangerous to use this reclined on an elevated surface, e.g. a table.
42. **SUFFOCATION HAZARD** - Infant carrier can roll over on soft surfaces and suffocate child. **NEVER** place carrier on beds, sofas, or other soft surfaces. Only use on a firm, horizontal level and dry surface.
43. **NEVER** use this carrier as a means to transport an infant in a motor vehicle.

IN COMBINATION WITH A CAR SEAT

44. **WARNING: ENTRAPMENT HAZARD** - Do not use handle bar positions together with car seats between indicated markings.
45. Refer to the Bugaboo website for detailed car seat compatibility with Bugaboo Fox.

RAIN COVER

46. **SUFFOCATION HAZARD** - Do not use the sun canopy in the extended position in combination with the rain cover.
47. During use ensure that the rain cover does not come into contact with the child's face.
48. Monitor your child frequently, when using the rain cover.
49. Do not use the rain cover prolonged period of time.
50. Do not use the rain cover outside when it is not raining and do not leave your child under the rain cover with sunny weather, due to risk of overheating.
51. Do not use the rain cover inside.
52. Do not use the rain cover with hard wind (wind force 8 and above).
53. By stormy weather use the sun canopy under the rain cover on the second position.
54. Do not use on any other product than recommended by the manufacturer.

DAMAGE

Do not use the Bugaboo Fox if any part is broken, torn or missing. You should ensure that any damaged or worn parts are repaired immediately.



CUSTOMER SERVICE

If you have a question you might be able to find the answer on our website www.bugaboo.com. If you need to contact our international service team, we are always happy to hear from you! We are available to answer any questions, concerns, or comments you may have regarding our products and services. Don't hesitate to contact us. Your feedback helps us to further improve our products and services.

Choose your preferred contact method:

Phone

+1-8004602922

Contact form via bugaboo.com

www.bugaboo.com/support

Email

service.us@bugaboo.com

Twitter

@Bugaboo



SHARE YOUR INSIGHTS

At Bugaboo, our products and their users are at the core of what we do, which is why we are continuously updating and improving our products. We are always collecting feedback and user experiences via our research program. We highly appreciate your contributions - if you are interested in participating you can let us know via the profile settings in your online account at bugaboo.com.



SHARE YOUR JOURNEY WITH US

We love seeing families enjoying life on the move with our strollers. From the first stroll to the first big adventure, we are constantly inspired by Bugaboo owners' photographs and stories. Please stay in touch and don't forget to share your journey with us on social.

@bugaboo #bugaboo

The information contained herein is subject to change without notice. Bugaboo International BV shall not be liable for technical errors or omissions contained herein. The purchased product may differ from the product as described in this user guide. Our most recent user guides can be requested at our service departments or at www.bugaboo.com.

© 2018 Bugaboo International BV. BUGABOO, BGUGABOO FOX, BUGABOO CAMELEON, BUGABOO BEE, BUGABOO BUFFALO, RUNNER, BUGABOO BOXER and the Bugaboo logos are registered trademarks. The Bugaboo® strollers are patented and design protected.



“Siempre me han gustado las ruedas. Te llevan de A a B con una sensación de fluidez y ligereza que hace que te sientas libre. Esa sensación de libertad, sin ningún esfuerzo, te da energía, te hace feliz y te incita a moverte y descubrir.”

— Max Barenbrug, cofundador y jefe de diseño de Bugaboo

Queremos darte las gracias por la compra del Bugaboo Fox. Nuestros cochecitos son una gran inversión, ya que utilizamos materiales y tejidos duraderos para que puedas disfrutar de ellos durante muchos años. No hay nada que nos guste más que ver como un Bugaboo viaja sin parar, se llena de barro en las ruedas y tiene muchas historias que contar. Nos enorgullece ver como nuestro producto de alta calidad pasa de una generación a otra con el paso del tiempo.

El Bugaboo Fox se adapta completamente a tu estilo de vida: salir de paseo, viajar e ir de compras será siempre fácil. Tiene la conducción más ligera para que te muevas sin ningún esfuerzo. Pasea con este cochecito por cualquier lugar, desde las calles de tu ciudad a caminos cubiertos de nieve: las grandes ruedas y su suspensión avanzada garantizan un paseo estable y suave para ti y tu hijo, en cualquier superficie. Lleva contigo todo lo que necesites, gracias a la cestilla de compras de fácil acceso. Con una estructura ultraligera y un plegado extra sencillo puedes trasladar el cochecito a tu casa o al coche fácilmente, o usar el plegado súper compacto para guardarlo en cualquier lugar. El Bugaboo Fox te garantiza una calidad, apariencia y comodidad excepcional.

Te recomendamos que, cuando leas esta guía del usuario, prestes especial atención a todas las funcionalidades del Bugaboo Fox. Por ejemplo, la silla reversible y reclinable, el manillar ajustable en altura con fundas de suave piel sintética, el plegado compacto y muchas más. Todas estas características te permiten disfrutar al máximo del Bugaboo Fox y os garantizan un paseo suave tanto para ti y como para tu hijo.

Tanto las características principales como las instrucciones de montaje del Bugaboo Fox se encuentran en las imágenes de esta guía del usuario, que también incluye otra información importante como consejos sobre mantenimiento y cuidados o cómo usar el cochecito de forma segura. Lee las instrucciones detenidamente antes de usarlo y guárdalas para consultas futuras. Si tienes alguna pregunta o necesitas ayuda, solo tienes que ponerte en contacto con nosotros. Nuestro equipo de atención al cliente está aquí para ayudarte. Encontrarás sus datos de contacto al final de esta guía del usuario.

De parte de todo el equipo de Bugaboo: ¡Disfruta de la vida en movimiento con tu familia todos los días, dondequiera que vayas!



COMPARTE TU VIAJE



@teresalobarregui @aarikalee @thereal_littlebirdsmama @pobke @therealtumi @natalykursova



CONSEJOS PARA EL MANTENIMIENTO Y LA LIMPIEZA

Consulta siempre la etiqueta de instrucciones de lavado del tejido antes de limpiar el cochecito.

CAPAZO Y CUBREPIÉS. La funda de capazo del Bugaboo Fox se puede quitar y lavar en la lavadora. Antes de lavarla, retira las lengüetas y la pieza de madera.

SILLA. La funda de silla del Bugaboo Fox se puede quitar y lava en lavadora. Antes de lavarla, debes quitar la espuma del interior de la funda. La espuma se puede limpiar con un paño húmedo. Después de limpiarla, introduce la espuma en la funda antes de ensamblarla de nuevo en el Bugaboo Fox. No utilices el SILLA sin la espuma.

COLCHÓN. La funda de colchón del Bugaboo Fox y el elemento de ventilación del colchón se pueden quitar y lavar en lavadora. El elemento de ventilación se encuentra encima de la espuma del colchón y se puede quitar al retirar la funda de colchón. La espuma del colchón se puede limpiar con un paño húmedo. Después de lavarla, asegúrate de que todas las piezas del colchón estén secas y en su posición original. El elemento de ventilación debe colocarse encima de la espuma del colchón. Consulta las imágenes del manual de instrucciones. No utilices el colchón sin el elemento de ventilación.

CAPOTA. La capota del Bugaboo Fox se puede quitar y lavar en la lavadora.

CESTILLA DE COMPRAS. La cestilla de compras del Bugaboo Fox no se puede lavar, pero se puede limpiar con un trapo húmedo.

FUNDAS DE MANILLAR. Las fundas de manillar no se puede lavar a máquina, pero se pueden limpiar con un trapo húmedo.

CHASIS. Limpia el chasis con una toalla suave y agua tibia y sécalo bien con un paño seco. Usa un cepillo suave para quitar la arena y la suciedad de los mecanismos y de los tubos deslizantes del chasis. Asegúrate de limpiar con el cepillo las juntas deslizantes.

RUEDAS. Debes extraer las ruedas del chasis periódicamente y quitar la suciedad o la arena del interior del eje de la rueda. No sumerjas en agua los cojinetes de la rueda. Usa un cepillo y agua para limpiar la suciedad de las ruedas.

CUBIERTA PARA LA LLUVIA. Limpiar solamente con un trapo húmedo.

CONDICIONES DE HUMEDAD. Guarda el Bugaboo Fox y sus accesorios en un lugar seco y deja que se sequen desplegados para evitar que aparezca moho.



GARANTÍA LIMITADA

(solo para EE. UU. y Canadá)

ES

¿QUÉ CUBRE ESTA GARANTÍA?

Esta garantía cubre los defectos en el chasis, la estructura, las ruedas, los adaptadores de la estructura y para las sillas de coche, las cremalleras, los arneses, las costuras de las fundas, las cintas adhesivas de nailon y la decoloración del producto Bugaboo, con las excepciones indicadas a continuación.

¿QUÉ NO CUBRE ESTA GARANTÍA?

Esta garantía no cubre las reclamaciones y daños provocados por:

1. el desgaste normal por el uso;
2. un uso indebido como, entre otros, un almacenamiento y cuidado inadecuados del producto;
3. un mantenimiento y uso distintos a los indicados en el manual de instrucciones;
4. el incumplimiento de las indicaciones del manual de instrucciones;
5. uso indebido, negligencia, descuido, o accidente;
6. la modificación o alteración del producto;
7. daños en el transporte aéreo o con otra modalidad;
8. daños en las ruedas como pinchazos o desgarras; e
9. instalación o montaje incorrectos de piezas de terceros incompatibles con el producto.

La presente garantía no cubre los productos Bugaboo cuyo número de serie se haya dañado o borrado. Esta garantía cubre únicamente daños y defectos y no se extiende a las reclamaciones relacionadas con su insatisfacción con el producto en cuestiones de ajuste, peso, funcionalidad, color o diseño.

Esta garantía está limitada a consumidores, es decir, compradores del producto para su uso personal o para fines familiares o domésticos. No se aplicará a compradores no autorizados del producto para su reventa ni a aquellos que pretendan utilizarlo para fines comerciales, como el alquiler a terceros.

¿CUÁL ES EL PERÍODO DE GARANTÍA?

Esta garantía permanecerá en vigor durante dos años a contar desde la fecha de la compra, siempre que se trate del comprador original dueño del producto Bugaboo. Debe conservar su factura como prueba de la fecha de compra. Las piezas de recambio o reparadas únicamente estarán garantizadas durante el período restante de la garantía original.

¿QUÉ HAREMOS PARA SOLUCIONAR LOS PROBLEMAS?

Repararemos tu producto Bugaboo sin coste alguno; si no puede repararse, sustituiremos el producto. Correremos con los gastos de transporte desde el punto de venta que preste servicio técnico a tu producto Bugaboo y hasta el mismo, siempre y cuando la reparación o sustitución estén cubiertas por esta garantía.

Bugaboo se reserva el derecho a interrumpir la fabricación de un modelo, color, tejido o accesorio concreto y, en tal caso, lo reemplazará por un producto, color o tejido similar durante el período de esta garantía. Bugaboo se reserva el derecho a interrumpir la fabricación de un modelo, color, tejido o accesorio concreto y, en tal caso, lo reemplazará por un producto, color o tejido similar durante el período de esta garantía.

¿CÓMO RECIBIR EL SERVICIO TÉCNICO?

Para recibir servicio técnico para tu producto Bugaboo, contacta con el punto de venta donde compraste el producto. Si el establecimiento de venta no puede prestar el servicio técnico a tu producto o si compraste el producto directamente a Bugaboo, puedes contactar con nosotros enviando un mensaje a la dirección de correo electrónico serviceus@bugaboo.com o llamando al número de teléfono 1-800-460-2922.

Cuando presentes una reclamación al servicio técnico, deberás proporcionar una copia de la factura de compra, una descripción del problema con el producto y el producto (o bien fotografías del producto o pieza que se haya roto o que no funcione correctamente).

¿CÓMO AFECTA LA LEY ESTATAL A SUS DERECHOS COMO CLIENTE EN VIRTUD DE ESTA GARANTÍA?

En la medida que lo permita la ley, esta garantía excluye cualquier otra garantía y se ofrece en lugar de cualquier otra garantía, oral o escrita, incluidas, entre otras, garantías expresas de comerciabilidad o adecuación a un fin concreto. La duración de las garantías implícitas, incluida cualquier garantía implícita de comerciabilidad o adecuación a un fin concreto, se limita expresamente al período de esta garantía. Su remedio exclusivo en caso de incumplimiento de esta garantía o cualquier otra garantía implícita o cualquier otra obligación legal quedará limitado, según lo aquí especificado, a la reparación o sustitución, a nuestra entera discreción. Renunciamos expresamente a toda responsabilidad por daños incidentales o emergentes.

La presente garantía te otorga derechos legales específicos; es posible que te correspondan otros derechos que varían de un estado a otro o de una provincia a otra. Algunos estados o provincias no permiten limitaciones en cuanto a la duración de una garantía implícita y/o no permiten la exclusión o limitación de daños incidentales o emergentes. En tal caso, las limitaciones y exclusiones arriba expuestas podrían no aplicarse a tu caso.



REGISTRA TU PRODUCTO

Mantente informado de los avisos de seguridad o las actualizaciones específicas de tu producto Bugaboo registrándolo a través de www.bugaboo.com/productregistration.

Ofrecemos una garantía adicional si el producto se registra dentro los 3 meses posteriores a la compra. Puedes registrarlo fácilmente en nuestro sitio web o en la aplicación Bugaboo Passport. Para más información, visita

www.bugaboo.com/extra-warranty. El registro también acelera el proceso a la hora de ponerse en contacto con nuestro equipo de atención al cliente. Ten en cuenta que, aunque esté registrado tu producto Bugaboo, necesitarás una prueba de compra para las reclamaciones en garantía.



INFORMACIÓN Y ADVERTENCIAS DE SEGURIDAD

IMPORTANTE — Lee estas instrucciones detenidamente antes de usar el producto y guárdalas para consultas futuras. Para evitar situaciones de peligro, dedica unos minutos a leer las instrucciones que te presentamos a continuación.

El Bugaboo Fox está certificado por:

- ASTM F833 (versión más reciente) y ASTM 2050 (versión más reciente) y cuenta con la certificación de la Juvenile Products Manufacturing Association (JPMA).

NIÑOS CERCA DE TU COCHECITO

1. No dejes NUNCA a tu niño desatendido.
2. No permitas que tu niño juegue con el Bugaboo Fox.
3. Para evitar lesiones, asegúrate que el niño se mantiene alejado durante el desplegado y el plegado de este producto, así como cuando realices algún ajuste en él.
4. No dejes que otros niños jueguen desatendidos cerca del capazo.
5. Mantén los brazos y piernas de los niños alejados de la conexión del adaptador cuando coloques la silla de coche.

ANTES DE USAR EL PRODUCTO

6. Inspecciona con frecuencia el asa y la parte inferior del capazo para ver si presenta señales de desgaste y daños.
7. Comprueba que los dispositivos de sujeción del capazo, de la silla o de la unidad de la silla de coche están correctamente engranados antes del uso.
8. Asegúrate que todos los dispositivos de cierre están engranados antes del uso y acciona siempre el freno al subir o bajar al niño.

9. Antes de mover o levantar el capazo, asegúrate que el asa de transporte se encuentra en la posición correcta.
10. Antes de cada uso, asegúrate que el arnés funciona correctamente y que el manillar está bloqueado.
11. RIESGO DE CAÍDA - Comprueba siempre que el capazo está fijado de forma segura a la base o “stand” tirando hacia arriba del capazo.

RESTRICCIONES DE USO

Para el producto en general

12. El Bugaboo Fox es apto para niños de 0 a 48 meses (22 kg / 48.5 lbs).
13. El peso máximo para la cesta de compras es de 10 kg / 22 lbs o 35 l.
14. Puede producirse una situación de peligro por inestabilidad si se supera cualquiera de las cargas recomendadas por Bugaboo o si se añaden al producto accesorios para transportar paquetes.
15. No levantes nunca el Bugaboo Fox y el chasis por el asa de transporte mientras el niño está tumbado en el capazo o sentado en la silla.
16. Saca al niño del Bugaboo Fox al subir o bajar escaleras y en situaciones con pendiente o inestables. Asimismo, presta especial atención al subir o bajar un bordillo o en otras superficies irregulares. No utilices el cochecito en escaleras mecánicas.
17. El Bugaboo Fox está diseñado para transportar a un niño, exclusivamente. Puedes pasear con un niño más con el patinete acoplado Bugaboo, siguiendo las instrucciones de uso.
18. No permitas que niños de más de 20 kg / 44 lbs se suban al Patinete Acoplado Bugaboo.
19. La estructura de silla/capazo del Bugaboo Fox (nº 230582 o 230583) debe utilizarse únicamente con el chasis Bugaboo Fox (nº 230330 o 230340). No utilices piezas ni componentes del Bugaboo Fox con cochecitos no aprobados o cualquier otro producto Bugaboo.
20. Utiliza únicamente piezas de recambio y accesorios originales de Bugaboo o productos homologados por Bugaboo para su uso con el Bugaboo Fox. No es seguro utilizar productos no autorizados por Bugaboo.

21. Las cuerdas pueden causar estrangulamiento. No coloques objetos con una cuerda alrededor del cuello del niño, como cordones de capuchas o sujeta-chupetes. No cuelgues cuerdas por encima de un capazo o cuna ni las enganches en juguetes.
22. No uses el Bugaboo Fox ni ninguno de sus componentes cerca del fuego u otras fuentes de calor. Evita exponer el Bugaboo Fox a temperaturas extremas.
23. El Bugaboo Fox no es resistente al agua salada.
24. Es posible que los neumáticos de goma negros dejen marcas permanentes en suelos como los laminados sintéticos, parquet, linóleo y moqueta (superficies de suelo orgánicas). En caso de tener uno de estos tipos de suelo, te recomendamos que tengas cuidado con el uso del cochecito en interiores.
25. Este producto no es adecuado para correr o patinar.

ESPECÍFICAS DEL CAPAZO

26. El peso máximo del niño para usar el capazo es de 9 kg / 20 lbs.
27. Este producto solamente es apropiado para niños que no pueden sentarse por sí solos.
28. RIESGO DE CAÍDA: Para evitar caídas, no utilices este producto cuando el bebé comience a ir a gatas o haya alcanzado los 9 kg / 20 lbs (lo que suceda antes).
29. Para reducir el riesgo del Síndrome de Muerte Súbita del Lactante, los pediatras recomiendan que los bebés sanos se coloquen boca arriba para dormir, a menos que su médico le recomiende otra cosa.
30. RIESGO DE ASFIXIA: Con ropa de cama mullida, utiliza únicamente el colchón, con la funda y el elemento de ventilación, suministrado por Bugaboo para el Bugaboo Fox. No añadas NUNCA una almohada, edredón u otro colchón para acolchado.
31. No utilices el capazo o silla de coche en la posición de dos ruedas.

ESPECÍFICAS DE LA SILLA

32. La silla no es adecuada para niños menores de 6 meses.

33. **RIESGO DE CAÍDAS:** Evita lesiones graves por caídas o deslizamientos. Utiliza siempre el sistema de retención completo (arnés) de cinco puntos.
34. Un niño puede **ESTRANGULARSE** con las correas del arnés sueltas o parcialmente abrochadas. Sujete completamente al niño en todo momento.
35. No permita que el niño se ponga de pie en la silla. Tenga cuidado, puesto que los niños pueden ponerse de pie incluso con el cinturón abrochado.
36. Utiliza siempre la muñequera de seguridad cuando el cochecito esté en posición de dos ruedas.
37. **ATENCIÓN:** En la posición de 2 ruedas (modo playa), no instale la silla en dirección mundo. No es una posición diseñada para el uso en modo playa.

USO DEL CAPAZO O LA SILLA FUERA DEL CHASIS

38. El peso máximo del niño para usar la silla de manera independiente al chasis es de 9 kg / 20 lbs.
39. No uses el capazo o la silla fuera del chasis cuando el niño pueda sentarse por sí solo.
40. La silla no sustituye a una cuna o una cama. No está destinada a períodos prolongados de sueño. Si el niño necesita dormir, llévalo a una cuna o cama adecuadas.
41. **RIESGO DE CAÍDA:** La actividad del niño puede hacer que la silla se mueva. Es peligroso usar esta silla en superficies elevadas, por ejemplo sobre una mesa.
42. **RIESGO DE ASFIXIA:** La silla para bebés puede volcarse en superficies blandas y asfixiar al niño. **NUNCA** coloques la silla sobre camas, sofás u otras superficies blandas. Utilízala solamente sobre superficies firmes, horizontales, niveladas y secas.
43. No utilices **NUNCA** el capazo/silla para transportar un bebé en un vehículo a motor.

USO DEL CHASIS CON SILLAS DE COCHE

44. **ADVERTENCIA:** PELIGRO DE ATRAPAMIENTO - No se deben usar las posiciones del manillar a la vez con las sillas de coche entre las marcas indicadas.
45. Consulta el sitio web de Bugaboo para ver detalles de la compatibilidad de las sillas de coche con Bugaboo Fox.

CUBIERTA PARA LA LLUVIA

46. RIESGO DE ASFIXIA: No utilices la capota en posición extendida junto con la cubierta para la lluvia.
47. Asegúrate que la cubierta para la lluvia no está en contacto con la cara del niño durante su uso.
48. Supervisa a tu hijo con frecuencia durante el uso de la cubierta para la lluvia.
49. No se debe usar la cubierta para la lluvia durante un período prolongado.
50. No uses la cubierta para la lluvia al aire libre cuando no llueva y no dejes a tu hijo bajo esta cubierta cuando el día esté soleado ya que existe un riesgo de sobrecalentamiento.
51. No usar la cubierta para la lluvia en interiores.
52. No uses la cubierta para la lluvia cuando haya mucho viento (fuerza 8 y superior).
53. En días lluviosos, usa la capota bajo la cubierta para la lluvia en la segunda posición.
54. No uses productos no recomendados por el fabricante.

DAÑOS

No utilices el Bugaboo Fox si falta cualquier pieza o está rota o desgarrada. Asegúrate de reparar cualquier pieza dañada o desgastada de inmediato.



SERVICIO DE ATENCIÓN AL CLIENTE

Si tienes alguna pregunta, es posible que encuentres la respuesta en nuestro sitio web, www.bugaboo.com. Si tienes que ponerte en contacto con nuestro equipo de atención al cliente, estaremos encantados de atenderte. Estamos disponibles para responder a cualquier pregunta, preocupación o comentario que puedas tener en relación con nuestros productos y servicios. No dudes en ponerte en contacto con nosotros. Tus comentarios nos ayudarán a mejorar aún más nuestros productos y servicios.

Selecciona tu método de contacto preferido:

Teléfono

+1-8004602922

Formulario de contacto a través de bugaboo.com

www.bugaboo.com/support

Email

service.us@bugaboo.com

Twitter

@Bugaboo



COMPARTE TUS EXPERIENCIAS

En Bugaboo, nuestros productos y sus usuarios son la base de todo lo que hacemos y por esa razón actualizamos y mejoramos continuamente nuestros productos. Recogemos comentarios y experiencias de los usuarios constantemente a través de nuestro programa de investigación y apreciamos mucho todas las contribuciones que puedas hacer. Si estás interesado en participar, puedes hacérselo saber a través de la configuración de tu perfil en tu cuenta online en bugaboo.com.



COMPARTE TU VIAJE CON NOSOTROS

Nos encanta ver como familias de todo el mundo disfrutan de la vida junto a nuestros cochecitos. Vuestro primer paseo, vuestra primera gran aventura. Siempre nos sentimos inspirados por las historias y las fotografías de propietarios de Bugaboo. Sigue en contacto con nosotros y ¡no te olvides de compartir vuestro gran viaje siendo padres en nuestras redes sociales!

@bugaboo #bugaboo

La información de estas instrucciones puede modificarse sin previo aviso. Bugaboo International BV no se hace responsable de los errores técnicos u omisiones que contengan. El producto adquirido puede diferir del descrito en esta guía del usuario. Puedes solicitar la guía del usuario más reciente a nuestros departamentos de atención al cliente o en www.bugaboo.com.

© 2018 Bugaboo International BV. BUGABOO, BUGABOO FOX, BUGABOO CAMELEON, BUGABOO BEE, BUGABOO DONKEY, BUGABOO BUFFALO, RUNNER, BUGABOO BOXER, y los logotipos Bugaboo son marcas comerciales registradas. Los cochecitos de Bugaboo® están patentados y su diseño está protegido.

bugaboo europe

bugaboo international bv
paasheuvelweg 9 a-b
1105 be amsterdam zuidoost
the netherlands

bugaboo americas

bugaboo north america inc.
2150 park place suite 150,
el segundo, ca 90245
united states of america